



BEFORE THE FIRST USING YOUR ELECTRIC STORAGE WATER HEATER, CAREFULLY READ THIS OPERATION MANUAL

DEAR CUSTOMER!

Congratulations on your purchase of an electric water heater THERMEX.

Water heaters THERMEX are designed and manufactured in strict accordance with domestic and international standards guaranteeing operation reliability and safety.

Present manual applies to THERMEX models of Mara. The full name of the model of your heater is specified in "Manufacturer's warranty" section (sub-section "Note of sale") and in the marking plate on the heater casing.

1. APPLICATION

Electric water heater (hereinafter referred to as the EWH) is designed to provide with hot water for domestic and industrial facilities having a cold water supply line pressure of not less than 0.05 MPa and not more than 0.8 MPa.

EWH shall be operated indoors in heated spaces and it is not designed for operation in continuous flow mode.

2. SCOPE OF SUPPLY

| | |
|-------------------------|----------|
| Water heater | - 1 pcs. |
| Safety valve of GP type | - 1 pcs. |
| Operation manual | - 1 pcs. |
| Installation kit | - 1 set |
| Packaging | - 1 pcs. |

3. MAIN TECHNICAL CHARACTERISTICS

EWH power supply shall be within the range of 220-240 V. Supply network frequency 50/60 Hz \pm 1%. Volume of the inner tank and heating element power are specified in the marking plate on the casing. Thread diameter in water inlet and outlet pipes - G1/2 ".

The manufacturer reserves the right to make changes to the design, complete set and specifications of the heater without prior notice.

| Model | Code | Average heating time $\Delta T = 45^{\circ} \text{C}$ at 2.5 kW | Installation |
|----------|---------|--|-----------------------|
| Mara 30 | 111 404 | 0 h 40 min. | vertical / horizontal |
| Mara 50 | 111 405 | 1 h 06 min. | vertical / horizontal |
| Mara 80 | 111 406 | 1 h 46 min. | vertical / horizontal |
| Mara 100 | 111 407 | 2 h 13 min. | vertical / horizontal |

4. DESCRIPTION AND PRINCIPLE OF OPERATION

The outside casing of the EWH is made of steel. Inner tanks have a special bio-glass-porcelain coating reliably protecting the inner surface against chemical corrosion. The space between the outside casing and the inner tank is filled with polyurethane foam - a modern, ecologically clean thermal insulation, which has the best heat-saving characteristics. Mara models have two screwed nozzles: for inlet of cold water (Fig. 1, p. 3) with a blue ring and for outlet of hot water (Fig. 1, p. 2) — with a red ring. The control knob, in all models, is on the bottom side of the EWH. (Fig. 1, p. 16).

Tubular heating element (THE), thermostat and thermal switch sensors are mounted on the removable flange. THE is used to heat water and thermostat provides with possibility of heating temperature regulation up to $+75^{\circ}\text{C}$. All models are controlled with electronic monitoring panel. Electronics maintain automatically water temperature at the level set by the user. The thermostat is used for protecting against EWH overheating, which disconnects TEH from power supply when water temperature exceeds 95°C . (Fig. 3).

Safety valve (Fig. 1, p. 5) operates as the check valve, ensuring protection of the water ingress from the water heater into the sewage system in case of pressure drop in the sewage system and in case of pressure rise in the tank at high water heating, as well as the functions of the safety valve, releasing overpressure in the tank at high water heating. During water heater operation water may leak out of the exhaust outlet pipe of the safety valve to relieve excessive pressure, which is made for the purpose of water heater safety. This outlet pipe shall remain open to the atmosphere and be installed constantly down.

Drainage of water from the safety valve exhaust pipe into the drain shall be provided with installation of the corresponding EWH drainage.

It is required regularly (at least once a month) to discharge a small amount of water through the exhaust pipe of the safety valve into the drain to remove lime deposits and to test the operating functionality of the valve. Handle (Fig. 1, p. 15) is intended to open the valve. It is necessary to control when operating water heater this handle to be in position closing water draining from the tank.

5. SPECIFYING SECURITY MEASURES

Electrical safety and corrosion protection of EWH are guaranteed only if there is an effective grounding in accordance with applicable electric installation rules and regulations.

Plumbing pipes and fittings shall conform to parameters of water main and have the required certificates of quality.

When installing and operating EWH the following is not allowed:

- To power EWH if EWH is not filled with water.
- To remove the protective cover when the power is on.
- Use EWH without grounding or use water pipes as grounding.
- To connect EWH to water supply with pressure exceeding 0.8 MPa.
- To connect EWH to the water supply without safety valve.
- To drain water from EWH with power switched on.
- To use spare parts not recommended by the manufacturer.
- To use water from the EWH for cooking.
- To use water containing impurities (sand, small stones), which might lead to EWH and safety valve breakdown.
- To modify design and installation dimensions of EWH brackets.

Ambient temperature shall be within the range of 5°C to 40°C. Water in freezing EWH at negative temperatures results in malfunction, which is not a warranty case.



Attention should be paid to children so that they do not play with EWH. EWH is not intended for use by persons (including children) with limited physical, sensory or mental capabilities, or by persons who do not know how to use the EWH, except for cases when this happens under the supervision or instructions by persons responsible for safety of the EWH.

During EWH operation, it shall be inspected regularly for proper health (absence of dripping, burning smell, wiring sparks, etc.). In the case of long interruptions in water heater operation, water supply failures, EWH shall be disabled and cold water inlet valve shall be shut off.

6. INSTALLATION AND CONNECTION

All installation, plumbing and electrical works shall be performed by qualified personnel.

7. ARRANGEMENT AND INSTALLATION

All installation, plumbing and electrical works shall be performed by qualified personnel.

EWH installation shall be performed in accordance with marking on the housing.

It is recommended to install EWH as close as possible to the place of hot water using to reduce heat loss in the pipes.

When choosing the place of installation it should be taken into account the total weight of EWH filled with water. Walls and floor with low carrying capacity should be strengthened accordingly. When drilling (making) holes in the wall consider cables, ducts and pipes in the wall.

EWH is suspended by brackets on hook anchors fixed in the wall. Hooks mounting on the wall shall exclude spontaneous movement of EWH brackets along them.

The manufacturer bears no liability for EWH falling associated with improper installation of anchors and their selection.

For EWH maintenance the distance from the protective cover to the nearest surface in the direction of the removable flange axis shall be at least 30 cm for all models.



In order to avoid damage of the user's and/or third parties' property in the event of a faulty hot water system, it is required to install EWH in spaces with waterproofing and drainage to the sewers, and in no case to place under items exposed to the water under EWH. When placed in unprotected areas a protective plate (not supplied) with drainage into sewers shall be installed under the EWH.

In case of placing EWH in hard-to-reach places in order to perform maintenance and warranty service (mezzanine floors, niches, ceiling voids, etc.), installation and dismantling of EWH is carried out by the user on his own or for his own account.

Note: safety tray is not included into the scope of EWH supply.

8. CONNECTION TO WATER MAINS

Cold water shall be supplied to EWH using pre-filter with water treatment level not less than 200 µm.

Install pressure relief valve (Fig. 1, p.5) at the cold water inlet (Fig. 1, p. 3) tube with the blue ring, by 3.5-4 turnings, ensuring junction tightness with any sealing material (flax, FUM tape, etc.).

During EWH operation you can observe water leak out of the outlet pipe of the safety valve for excessive pressure release to ensure safety of the water heater. It is recommended to connect to a drainage hole a rubber or silicone pipe of the relevant diameter for moisture removal.

Connection to the water supply line shall be carried out in accordance with Fig. 1 using copper, plastic pipes or special flexible sanitary wiring. Do not use any used flexible wiring. It is recommended to supply water to EWH through filter installed on the cold water main (not included in the scope of supply).



Do not use used flexible feed pipes. Do not operate the EWH without safety valve or with valve made by other manufacturers.

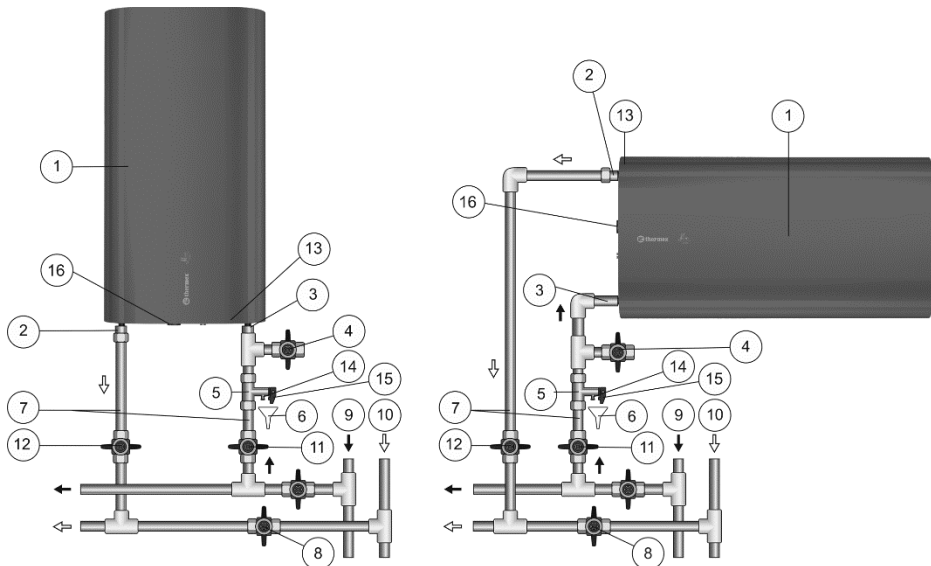


Figure 1. EWH connection diagram to water supply

Figure 1: 1 – EWH, 2 – hot water pipe, 3 – cold water pipe, 4 – drain valve (not in the scope of supply), 5 – safety valve, 6 – drainage (not in the scope of supply), 7 – feed pipe, 8 – shut off valve when EWH operation, 9 – cold water main, 10 – hot water main, 11 – cold water shut-off valve, 12 – hot water shut-off valve, 13 – protective cover, 14 – exhaust pipe of the safety valve, 15 – handle for opening pressure relief valve, 16 – control panel.

After connecting EWH make sure that cold water shut-off valve is open and hot water shut-off valve (Fig. 1, p. 8) is closed. Open cold water tap in EWH (Fig. 1, p. 11), hot water outlet valve (Fig. 1, p. 12) and hot water tap on mixer to ensure outflow of air from the EWH. When the final EWH filling, water will continuously flow out of mixer tap. When connecting EWH in places not provided with water supply it is permitted to supply water in EWH from auxiliary tank using pumping station, or from reservoir placed at a height of not less than 5 meters over the top of EWH.

Note: for ease of maintenance during EWH operation it is recommended to install drain valve (Fig. 1, p. 4) in accordance with Fig. 1 (for models not equipped with drainage pipe (not in the scope of EWH supply)).

If the water pressure exceeds 0.8 MPa, at EWH cold water inlet, before the safety valve (in the direction of water flow), the appropriate pressure reducing valve (not supplied with the EWH) shall be installed to reduce water pressure to standard.

9. CONNECTION TO POWER SUPPLY

Prior to the water heater connection to electrical network, make sure its parameters complies with the technical specifications of the water heater.

ATTENTION! Prior to power activation make sure EWH is filled with water!

Water heater shall be earthed to ensure safe operation. EWH is equipped with the stationary power cable (option) with Europlug (option). Power outlet shall have an earth terminal with the connected earthing wire and located in the area protected from moisture, or comply with the requirements not less than IPX4.

10. OPERATION

The EWH is switched on/off by turning the indicator line on the control knob located on the protective cover of the water heater (Fig. 1, p. 16) to the "OFF" zone. The water temperature in the inner tank is adjusted using the control knob (Fig. 1, p. 16) in the range of values from "OFF" (minimum values) to "HIGH" (maximum values). The control indicator lamp displays the operating mode of the EWH - it glows when the water is heated and goes out when the set temperature is reached.

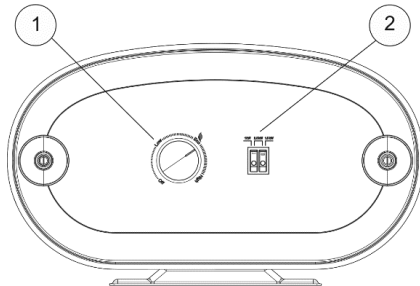


Figure 2. Mechanical control panel

Figure 2: 1 – Temperature control (increasing / decreasing the heating temperature), 2 – Power control (setting the heating power).

Turning on the left power control button activates heating at a minimum power of 1000 Watts, turning on the right one – a heating power of 1500 watts, simultaneously turning on both buttons activates heating at a maximum power of 2500 watts.

11. TECHNICAL MAINTENANCE

When performing maintenance scale on THE is checked. At the same time residue that may accumulate in the bottom of the EWH is removed. If there is scale on THE, it

can be removed by using scale removing means or mechanically. It is recommended to hold the first technical maintenance after a year from the time of connection by experts of a specialized organization and depending on intensity of scale and residue to determine intervals of follow-up maintenance. This action will extend the maximum EWH service life.

The first replacement of the magnesium anode shall be made no later than 12 months from the date of EWH installation. In case of no mark of installation in warranty certificate with the seal of installation company, the period is calculated from the date of purchase. Regular periodic maintenance and annual replacement of the magnesium anode in time is imperative to maintain the manufacturer's warranty. Replacement of the anode must be accompanied by a mark in the warranty card in case of replacement by a service organization, or an attached sales receipt for its purchase in case of replacement by the owner.



ATTENTION: accumulation of scale on THE may cause its damage .

Note: Damages to THE due to scale formation are not subject to warranty. Regular maintenance is not included in the warranty of the manufacturer and the seller.

The following shall be carried out for maintenance:

- Turn off EWH power;
- Cool hot water or discharge it through the mixer;
- Cut off supply of cold water into EWH;
- Unscrew the relief valve or open drain valve;
- To put on the cold water supply inlet or discharge valve a rubber hose, sending the other end down the drain;
- Open hot water tap on mixer and drain water from the EWH through the hose;
- Remove the protective cover, disconnect wires, unscrew and remove from the casing the removable flange;
- Clean if necessary THEs from scale and remove residue from the tank;
- Assemble, fill the EWH with water and power on.

In models with drain pipe, it is enough to cut off the flow of cold water into the EWH, unscrew the drain stub on drain pipe and open hot water tap. Once the water is discharged, you can open for a while cold water supply in EWH for additional tank washing.

When conducting EWH maintenance by forces of specialized organization mark with the seal of organization performing maintenance shall be made in service coupon.

12. POSSIBLE FAULTS AND REMEDIES.

| Malfunction | Possible cause | How to fix |
|--|---|--|
| Hot water pressure from EWH decreased. Cold water pressure keeps at the level. | Clogged inlet safety valve | Remove the valve and clean it in water |
| Heating time increased | THE is covered with a layer of sludge | Remove the flange and clean the THE |
| | Supply voltage decreased | Contact power main operation service |
| Frequent tripping of thermal switch | The set temperature is close to the limit | Set lower value of water heating temperature |
| | Thermostat tube is covered with sludge | Take out the EWH the removable flange and gently clean the tube from scale |
| EWH operates but is not heating water | Valve (Fig. 1, p. 8) is not closed or out of order | Close or replace the valve (Fig. 1, p. 8) |
| Powered EWH does not heat water. No backlights of indicator lamps. | 1) No voltage in electric network; 2) Damaged power cord; 3) Thermal switch actuated and not switched on. | 1) Check voltage at the electrical outlet; 2) Contact a qualified service center; 3) Disconnect from the power supply, remove EWH protective cover, press the button on thermal switch until you hear a click install the cover and turn on the power. |

These faults are not defects of EWH and shall be fixed by the consumer or by a specialized organization at his own expense.

In case of failure to fix problems using the above recommendations or in case of others problems revealing you should contact the authorized service center listed in the operation manual.

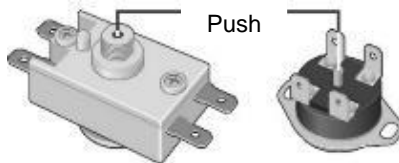


Figure 2. Thermal switch arrangement diagram

13. TRANSPORTATION AND STORAGE OF ELECTRIC WATER HEATERS

Transportation and storage of electric water heaters shall be carried out in accordance with manipulation marks on the packaging:



– need to protect the goods from moisture



– fragile, delicate handling



– recommended storage temperature range from +5° to +40° C



– correct vertical position of cargo;

14. DISPOSAL

When complying with the rules of EWH installation, operation and maintenance and when water quality complying with current standard the manufacturer sets EWH lifespan of 9 years from the date of purchase.

All parts of the heater are made of materials allowing, where appropriate, environmentally sound disposal which must be made in accordance with the rules and regulations of the country where the water heater is operated.

When disposing of the EWH comply with local environmental laws and guidelines.

The manufacturer reserves the right to make changes to the design and specifications of the heater without prior notice.

15. MANUFACTURER'S WARRANTY

The manufacturer sets 2 years as the period of warranty for water heater, and warranty period for parts and components is as follows:

- for water containing tank (inner tank) – 5 years;

- for other components (heating element, thermostat, indicator lights, gaskets, temperature indicator, pressure relief valve) - 2 years.

The warranty period is calculated from the date of EWH sale. If there is no or corrected date of sale and shop stamp, the warranty period is calculated from the date of EWH manufacture. Claims within the warranty period are accepted only on presentation of the warranty card with marks of the seller, and the identification plate on the casing of the EWH. Release date of a water heater is encoded in a unique serial number, located on the identification plate on the casing. EWH serial number consists of thirteen digits. The third and fourth digits of the serial number are year of manufacture, the fifth and sixth digits - month of release, the seventh and eighth digits - day of EWH release. Claims within the warranty period are accepted only on presentation of the guarantee card with marks of the seller, and the identification plate on the casing of the EWH.

The warranty shall apply to EWH only. Responsibility for compliance with principles of installation and connection shall be borne by the buyer (in case of connection by his own) or by the installer carrying out connection.

The first replacement of the magnesium anode shall be made no later than 12 months from the date of EWH installation. In case of no mark of installation in warranty certificate with the seal of installation company, the period is calculated from the date of purchase. Regular periodic maintenance and annual replacement of the magnesium anode in time is imperative to maintain the manufacturer's warranty. Replacement of the anode must be accompanied by a mark in the warranty card in case of replacement by a service organization, or an attached sales receipt for its purchase in case of replacement by the owner.

The manufacturer shall not be liable for defects due to violations of principles of installation, operation and maintenance of EWH set forth herein, including in cases where these defects have arisen due to invalid parameters of mains (electricity and water), where EWH is operated, and due to the intervention of a third party. Manufacturer's warranty does not cover claims for appearance of EWH.

16. INFORMATION ON THE MANUFACTURER

Manufacturer:

AnHui Weber New Energy Water Heating System Equipments Co., Ltd.

No. 500 YinHuangXi Road, Ma'anshan economic and Technological Development Zone, Anhui, China

All models have been certified and comply with requirements of European Directives: 2014/35/EU, 2014/30/EU and 2011/65/EU (RoHS).



Importer to Hungary:

Kizárólagos magyarországi THERMEX importőr: BOKOPRI Kft.

Cím: 6500 Baja, Mártonszállási út 10., Tel.: 0036 79 320-058

Web: www.biokopri.hu, E-mail: info@biokopri.hu

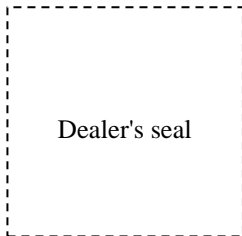
NOTE OF SALE

Model _____ Serial No. _____

Date of sale _____, 20 _____.

Dealer: _____

Dealer's representative signature _____



The product is completed; I have no claims for the appearance of the product. Operation manual with the necessary marks is received. I have read, understood and accepted operation rules and warranty terms.

Customer's signature: _____



ELSŐ HASZNÁLAT ELŐTT FIGYELMESEN OLVASSA EL EZT A HASZNÁLATI ÚTMUTATÓT

KEDVES ÜGYFÉL!

Gratulálunk a THERMEX elektromos vízmelegítő megvásárlásához.

A THERMEX vízmelegítőket a hazai és nemzetközi szabványoknak szigorúan megfelelően tervezték és gyártották, garantálva a működés megbízhatóságát és biztonságát.

Jelen kézikönyv a THERMEX Mara modellekre vonatkozik. Az Ön készülékének teljes modellneve a „Gyártói garancia” fejezetben és a vízmelegítő burkolatán lévő adattáblán található.

1. HASZNÁLAT

Az elektromos vízmelegítőt (a továbbiakban: EV) úgy tervezték, hogy legalább 0,05 MPa és legfeljebb 0,8 MPa nyomású hidegvíz háztartási és ipari létesítmények melegvízzel történő ellátására szolgáljon.

Az EV-t beltéri, fűtött helyiségekben kell elhelyezni és üzemeltetni, és nem folyamatos üzemeltetésre tervezték.

2. A CSOMAG TARTALMA

| | |
|-----------------------------|-----------|
| Vízmelegítő | 1 db |
| GP típusú biztonsági szelep | 1 db |
| Használati útmutató | 1 db |
| Szerelőkészlet | 1 készlet |
| Csomagolás | 1 db |

3. FŐBB MŰSZAKI JELLEMZŐK

Az EV tápellátásának 220-240 V kell lennie. A táphálózat frekvenciája 50/60 Hz \pm 1%. A belső tartály térfogata és a fűtőelem teljesítménye a burkolaton lévő adattáblán van megadva. Menetátmérő a víz be- és kimeneti csöveknél - G1/2 „.

A gyártó fenntartja a jogot, hogy a vízmelegítő kialakításában, teljes készletében és specifikációjában előzetes értesítés nélkül változtatásokat eszközöljön.

| Modell | Kód: | Átlagos fűtési idő $\Delta T = 45^\circ \text{C}$ 2,5 kW mellett | Telepítés |
|----------|---------|--|-------------------------|
| Mara 30 | 111 404 | 0 óra 40 perc | függőleges / vízszintes |
| Mara 50 | 111 405 | 1 óra 06 perc | függőleges / vízszintes |
| Mara 80 | 111 406 | 1 óra 46 perc | függőleges / vízszintes |
| Mara 100 | 111 407 | 2 óra 13 perc | függőleges / vízszintes |

4. LEÍRÁS ÉS MŰKÖDÉSI ELV

Az EV külső burkolata acélból készül. A belső tartályok speciális bio-üveg-porcelán bevonattal rendelkeznek, amely megbízhatóan védi a belső felületet a kémiai korrózió ellen. A külső burkolat és a belső tartály közötti teret poliuretán hab tölti ki - ez egy modern, ökológiailag tiszta hőszigetelő anyag, amely kiváló hőtartó tulajdonságokkal rendelkezik. A Mara modellek két menetes csatlakozással rendelkeznek: a hideg víz bevezetéséhez (1. ábra, 3. pont) egy kék gyűrűs, valamint a meleg víz kivezetéséhez (1. ábra, 2. pont) egy piros gyűrűs csöcsönk található. A kezelőpanel minden modell esetében az EV elülső oldalán helyezkedik el (1. ábra, 16. pont).

A fűtőbetét, a termosztátot és a hőkapcsoló érzékelőket egy leszerelhető karimára szerelik. A fűtőbetét a víz fűtésére szolgál, a termosztát pedig lehetőséget biztosít a fűtési hőmérséklet szabályozására egészen $+75^\circ\text{C}$ -ig. Minden modellt elektronikus vezérlőpanel irányít. Az elektronika automatikusan fenntartja a felhasználó által beállított vízhőmérsékletet. A termosztát az EV túlmelegedése ellen véd, és megszakítja a fűtőelem áramellátását, ha a víz hőmérséklete meghaladja a 95°C -ot (3. ábra).

A biztonsági szelep (1. ábra, 5. pont) visszacsapó szelepként működik, biztosítva, hogy a vízmelegítőből ne kerüljön vissza víz a szennyvízrendszerbe nyomásesés esetén, illetve megakadályozza a nyomás növekedését a tartályban magas hőmérsékletű víz melegítésekor. Emellett betölti a biztonsági szelep funkcióját is, amely kiengedi a túlnyomást a tartályból magas hőmérsékletű víz melegítésekor. A vízmelegítő működése közben víz szivároghat a biztonsági szelep leeresztő csövéen keresztül, hogy csökkentse a túlzott nyomást, ami a vízmelegítő biztonságának érdekében történik. Ez a cső mindig nyitva kell legyen a légköri nyomás felé, és állandóan lefelé kell irányítani.

A biztonsági szelep leeresztő csövéen keresztül a víz elvezetését biztosítani kell a megfelelő vízmelegítő lefolyócsatlakozás kiépítésével.

Javasolt rendszeresen (legalább havonta egyszer) kis mennyiségű vizet kiengedni a biztonsági szelep leeresztő csövéen keresztül a lefolyóba, hogy eltávolítsuk a vízkőlerakódásokat és ellenőrizzük a szelep működési funkcióját. A kar (1. ábra, 15. pont) a szelep nyitására szolgál. A vízmelegítő használatakor ellenőrizni kell, hogy a kar olyan helyzetben legyen, amely lezárja a víz távozását a tartályból.

5. A BIZTONSÁGI INTÉZKEDÉSEK MEGHATÁROZÁSA

Az EV elektromos biztonsága és korrózióvédelme csak akkor garantált, ha az alkalmazandó villanszerelési szabályoknak és előírásoknak megfelelően hatékony földelés van.

A vízvezetékcsöveknek és szerelvényeknek meg kell felelniük a vízvezeték paramétereinek, és rendelkezniük kell a szükséges minőségi tanúsítványokkal. Az EV telepítése és üzemeltetése során a következők nem megengedettek:

- Nem szabad az EV-t használni, ha nincs feltöltve vízzel.
- Nem szabad a védőburkolatot levenni, ha a készülék be van kapcsolva.
- Nem szabad az EV-t földelés nélkül használni, vagy vízvezetéket használni földelésként.
- Nem szabad az EV-t csatlakoztatni 0,8 MPa-nál nagyobb nyomású vízellátáshoz.
 - Nem szabad az EV-t vízhálózatra csatlakoztatni biztonsági szelep nélkül.
 - Nem szabad az EV-ből leengedni a vizet, ha be van kapcsolva.
 - Nem szabad a gyártó által nem ajánlott pótalkatrészeket használni.
 - Nem szabad az EV-ből származó vizet főzéshez használni.
 - Nem szabad olyan vizet használni, amelyek olyan szennyeződések (homok, apró kövek) tartalmaznak, amelyek az EV és a biztonsági szelep meghibásodásához vezethetnek.
- Nem szabad az EV konzolok kialakításán és beépítési méretein módosítani

A környezeti hőmérsékletnek 5 °C és 40 °C közötti tartományban kell lennie. Az EV lévő víz befagyás esetén meghibásodást eredményez, ami nem garanciális eset.



Figyelni kell a gyermekekre, hogy ne játsszanak az EV-vel. Az EV-t nem használhatják olyan személyek (beleértve a gyermekeket is), akik korlátozott fizikai, érzékszervi vagy szellemi képességekkel rendelkeznek, vagy akik nem tudják, hogyan kell használni az EV-t, kivéve azokat az eseteket, amikor ez az EV biztonságáért felelős személyek felügyelete vagy utasításai alapján történik.

Az EV működése során rendszeresen ellenőrizni kell a megfelelő műszaki állapotot (ne legyen csepegés, égő szag, szikrázó vezetékek stb.). A vízmelegítő működésének hosszabb megszakítása, vízellátási zavarok esetén az EV-t ki kell kapcsolni, és a vízellátást megszüntetni.

6. TELEPÍTÉS ÉS CSATLAKOZTATÁS

Minden szerelési, vízvezeték- és villanszerelési munkát szakképzett személynek kell elvégeznie.

7. ELRENDEZÉS ÉS TELEPÍTÉS

Minden szerelési, vízvezeték- és villanszerelési munkát szakképzett személynek kell elvégeznie.

Az EV telepítését a burkolaton lévő jelölésnek megfelelően kell elvégezni.

Az EV-t a melegvíz-felhasználás helyéhez a lehető legközelebb ajánlott felszerelni a csövek hőveszteségének csökkentése érdekében.

A beépítési hely kiválasztásakor figyelembe kell venni a vízzel töltött EV teljes súlyát. Az alacsony teherbírású falakat és padlót ennek megfelelően meg kell erősíteni. A falban lévő lyukak fúrásakor vegye figyelembe a falban lévő kábeleket, csatornákat és csöveket.

Az EV-t a falba rögzített kampós horgonyokra szerelt konzolokkal függesztik fel. A falra szerelt kampóknak meg kell akadályozniuk az EV konzolok spontán mozgását a fal mentén.

A gyártó nem vállal felelősséget a horgonyok helytelen beépítésével és kiválasztásával kapcsolatos EV leesésért.

Az EV karbantartásához a védőburkolat és a legközelebbi felület közötti távolságnak a levehető karima tengelye irányában minden modell esetében legalább 30 cm-nek kell lennie.



Annak érdekében, hogy a felhasználó és/vagy harmadik személyek tulajdonában bekövetkező károkat elkerüljék a melegvízhálózat meghibásodása esetén, az EV-t vízszigeteléssel és lefolyóval ellátott helyiségekben kell felszerelni, és semmiképpen sem szabad olyan készülékeket tenni az EV alá, amelyek víz esetén meghibásodnak. Ha nem védett helyiségekben helyezik el, az EV alá egy (nem mellékelt), a csatornába történő vízelvezetéssel ellátott védőlemezt kell felszerelni.

Abban az esetben, ha az EV-t nehezen hozzáférhető helyeken helyezik el a karbantartás és a garanciális szerviz elvégzése érdekében (főlemez, filkék, mennyezeti üregek stb.), az EV beszerelését és leszerelését a felhasználó saját maga vagy saját számlájára végzi.

Megjegyzés: a biztonsági tálcá nem tartozik az EV karbantartási körébe.

8. VÍZHÁLÓZATRA VALÓ CSATLAKOZÁS

A hideg vizet az EV-be legalább 200 µm-es előszűrővel kell bevezetni.

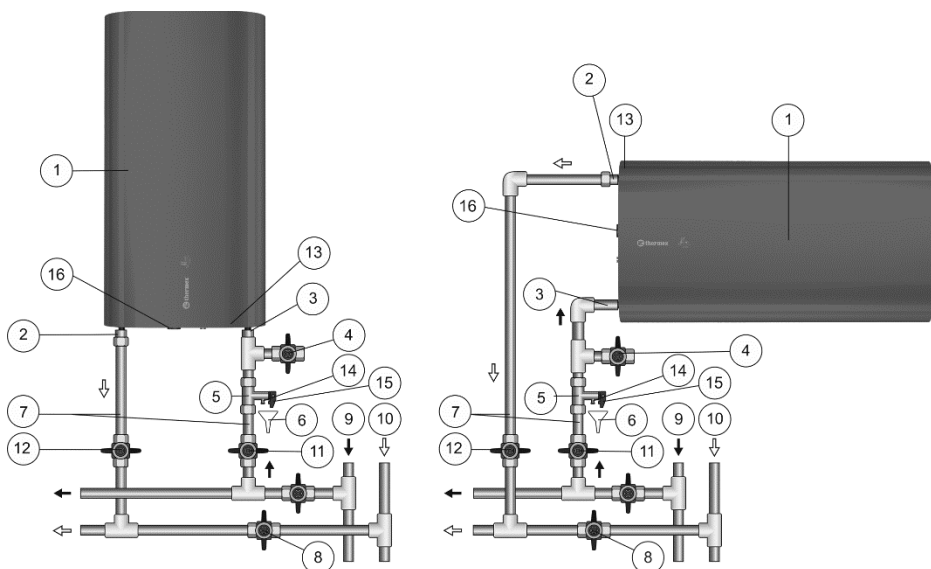
Szerelje fel a nyomáscsökkentő szelepet (1. ábra, 5. pont.) a hidegvíz-bemenetnél (1. ábra, 3. pont.) a kék gyűrűvel ellátott csőre, 3,5-4 fordulattal, biztosítva a csatlakozások tömörségét bármilyen tömítőanyaggal (len, FUM-szalag stb.).

Az EV működése során a vízmelegítő biztonságának biztosítása érdekében a biztonsági szelep túlnyomás-mentesítésére figyelje meg a biztonsági szelep kimeneti csőéből szivárgó vizet. A nedvesség elvezetésére a lefolyónyíláshoz ajánlott megfelelő átmérőjű gumi vagy szilikon csövet csatlakoztatni.

A vízvezetékhez való csatlakoztatást az 1. ábra szerint kell elvégezni réz, műanyag csövek vagy speciális rugalmas szanitervezetékek használatával. Ne használjon használt flexibilis vezetékeket. Az EV vízellátása a hidegvízvezetékre szerelt szűrőn keresztül ajánlott (nem tartozik a kínálatba).



Ne használjon használt hajlékony tápvezetéket. Ne üzemeltesse az EV-t biztonsági szelep nélkül vagy más gyártó által gyártott szeleppel.



1. ábra. Az EV csatlakozási rajza a vízhálózathoz

1. ábra: 1 - Vízmelegítő, 2 - melegvízvezeték, 3 - hidegvízvezeték, 4 - leeresztőszelep (nem tartozék), 5 - biztonsági szelep, 6 - vízvezető (nem tartozék), 7 - bekötővezeték, 8 - elzárószelep, ha a vízmelegítő üzemel, 9 - hidegvízvezeték, 10 - melegvízvezeték, 11 - hidegvíz elzárószelep, melegvíz elzárószelep, 12 – melegvíz elzárószelep, 13- védőburkolat, 14 - biztonsági szelep kivezető csőve, 15 – nyomáscsökkentő szelep nyitására szolgáló kar, 16 – vezérlőpanel.

Az EV csatlakoztatása után győződjön meg arról, hogy a hidegvíz elzárószelep nyitva van, és a melegvíz elzárószelep (1. ábra, 8. pont) zárva van. Nyissa meg az EV hidegvízcsapját (1. ábra, 11. pont, a melegvíz kimeneti szelepet (1. ábra, 12. pont), és a melegvízcsapot a keverőcsaptelepen, hogy biztosítsa a levegő távozását az EV-ből. Amikor az EV teljesen megtelik, a víz folyamatosan folyik ki a keverőcsapból. Ha az EV-t olyan helyen kötik be, ahol nincs vízellátás, megengedett a vízellátás egy segédtartályból szivattyúállomás használatával, vagy egy legalább 5 méterrel az EV teje felett elhelyezett tartályból.

Megjegyzés: az EV üzemeltetése során a karbantartás megkönnyítése érdekében ajánlott a leeresztő szelep (1. ábra, 4. pont.) beszerelése az 1. ábra szerint (lefolyó csővel nem felszerelt modellek esetén. (nem tartozik az EV szállítási körébe)).

Ha a víznyomás meghaladja a 0,8 MPa-t az EV hidegvíz-bemeneténél, a biztonsági szelep előtt (a vízáramlás irányában), a megfelelő nyomáscsökkentő szelepet (amely nem tartozék) kell felszerelni a víznyomás szabványosra csökkentése érdekében.

9. CSATLAKOZTATÁS A TÁPEGYSÉGHEZ

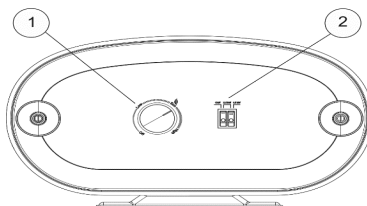
A vízmelegítő elektromos hálózatra történő csatlakoztatása előtt győződjön meg arról, hogy annak paraméterei megfelelnek a vízmelegítő műszaki előírásainak.

FIGYELEM! Bekapcsolás előtt győződjön meg arról, hogy az EV fel van töltve vízzel!

A vízmelegítőt a biztonságos működés érdekében földelni kell. Az EV vilásdugóval (opció) ellátott helyhez kötött tápkábelrel (opció) van felszerelve. A hálózati csatlakozónak rendelkeznie kell földelőcsatlakozóval a csatlakoztatott földelő vezetékkel, és a nedvességtől védett területen kell elhelyezkednie, vagy legalább IPX4 követelménynek kell megfelelnie.

10. MŰKÖDÉS

Az EV be-/kikapcsolása a vízmelegítő védőburkolatán (1. ábra, 16. pont.) található vezérlőgombon lévő jelzővonalat a „KI” zónába fordítja. A belső tartályban a vízhőmérsékletet a szabályozógomb (1. ábra, 16. pont.) segítségével a „OFF” (minimális értékek) és a „HIGH” (maximális értékek) közötti értéktartományban lehet beállítani. A vezérlő jelzőlámpa az EV működési módját mutatja - világít, amikor a víz felmelegszik, és kialszik, amikor a beállított hőmérsékletet elérte.



2. ábra. Elektronikus vezérlőpanel

2. ábra: 1 - Hőmérsékletszabályozás (a fűtési hőmérséklet növelése/csökkentése),
2 - Teljesítményszabályozás (a fűtési teljesítmény beállítása).

A bal oldali teljesítményszabályozó gomb bekapcsolásával a fűtés minimálisan 1000 wattos teljesítményen, a jobb oldali gomb bekapcsolásával 1500 wattos fűtési teljesítményen, mindkét gomb egyidejű bekapcsolásával a fűtés maximálisan 2500 wattos teljesítményen aktiválódik.

11. KARBANTARTÁS

Karbantartáskor a fűtőbetétet ellenőrzik. Ezzel egyidejűleg az EV alján esetlegesen felhalmozódó maradékot is eltávolítják. Ha a fűtőbetéten vízkő van, azt vízkőeltávolító eszközökkel vagy mechanikusan lehet eltávolítani. Az első műszaki karbantartást a csatlakozástól számított egy év elteltével ajánlott elvégeztetni egy szakemberrel, és a vízkő, valamint a maradékok intenzitásától függően meg lehet határozni az utólagos karbantartás idejét. Ez az intézkedés meghosszabbítja az EV maximális élettartamát.

A magnézium anód első cseréjét legkésőbb az EV felszerelésétől számított 12 hónapon belül el kell végezni. Amennyiben a telepítő cég pecsétjével ellátott jótállási jegyben nincs feltüntetve a telepítés, az időtartamot a vásárlás időpontjától kell számítani. A rendszeres időszakos karbantartás és a magnézium anód időben történő éves cseréje elengedhetetlen a gyártói garancia fenntartásához. Az anód cseréjéhez mellékelni kell a jótállási jegyen szereplő jelölést, ha a cserét egy szakszerviz végzi, vagy a tulajdonos általi csere esetén a vásárlásról szóló, mellékelte eladási bizonylatot.



FIGYELEM: a vízkő felhalmozódása a fűtőbetéten, annak károsodását okozhatja.

Megjegyzés: A fűtőbetét vízkő képződésből eredő károk nem képezik a garancia tárgyát. A rendszeres karbantartás nem tartozik a gyártó és az eladó garanciájába.

A karbantartás során a következőket kell elvégezni:

- Kapcsolja ki az EV áramellátását;
- Hűtse le a forró vizet, vagy engedje ki a csapon keresztül;
- Zárja el a hideg vízellátást az EV-be;
- Csavarja ki a nyomáscsökkentő szelepet vagy nyissa ki a leeresztő szelepet;
- A hidegvíz-bemeneti vagy -leeresztő szelepre gumitömlő felhelyezése, a másik végét a lefolyóba küldve;
- Nyissa meg a melegvizet, és a csapon keresztül engedje le a vizet az EV-ből;
- Távolítsa el a védőburkolatot, húzza ki a vezetékeket, csavarja le és vegye le a burkolatról a levehető karimát;
- Szükség esetén tisztítsa meg a fűtőbetétet a vízkőtől, és távolítsa el a maradékot a tartályból;
- Szerelje össze, töltsse fel az EV-t vízzel és kapcsolja be.

A lefolyócsővel ellátott modelleknél elegendő elzárni a hideg víz áramlását az EV-nél, lecsavarni a lefolyócső lefolyócsonkját, és megnyitni a melegvízcsapot. Miután a

víz kiürült, egy időre meg lehet nyitni a hidegvizet az EV-ben a további tartálymosáshoz.

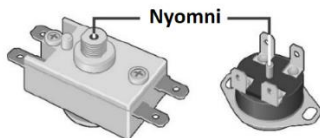
Ha az EV karbantartását szakszervezetek végzik, a karbantartást végző szervezet pecsétjével ellátott jelet kell elhelyezni a szervizjegyen.

12. LEHETSÉGES HIBÁK ÉS AZOK ELHÁRÍTÁSA.

| Meghibásodás | Lehetséges OK | Hogyan oldjuk meg |
|--|--|---|
| Az EV melegvíz nyomása csökkent. A hidegvíznyomás szinten marad. | Eltömődött a bemeneti biztonsági szelep | Vegye ki a szelepet, és tisztítsa meg vízzel |
| Megnövekedett fűtési idő | A fűtőbetétet iszapréteg borítja. | Távolítsa el a peremet és tisztítsa meg a fűtőbetétet |
| | Csökken a tápfeszültség | Vegye fel a kapcsolatot az áramszolgáltatóval |
| A hőkapcsoló gyakori kioldása | A beállított hőmérséklet közel van a határértékhez | A fűtési víz hőmérséklet alsó értékének beállítása |
| | A termosztát csöve iszappal borított | Vegye ki az EV levehető karimáját, és óvatosan tisztítsa meg a csövet a lerakódástól |
| Az EV működik, de nem melegíti a vizet | A szelep (1. ábra, 8. pont.) nincs zárva vagy nem működik. | Zárja el vagy cserélje ki a szelepet (1. ábra, 8. pont). |
| A működtetett EV nem melegíti a vizet. Nincs háttérvilágítás a jelzőlámpáknál. | <p>1) Nincs feszültség az elektromos hálózatban;</p> <p>2) Sérült tápkábel;</p> <p>3) Hőkapcsoló váltakozó feszültségű és nincs bekapcsolva.</p> | <p>1) Ellenőrizze a feszültséget a konnektorban;</p> <p>2) Forduljon szakképzett szervizközponthoz.</p> <p>3) Válassza le a tápegységről, vegye le az EV védőburkolatot, nyomja meg a hőkapcsoló gombját, amíg nem hallja a kattánást szerelje be a burkolatot és kapcsolja be a tápegységet.</p> |

Ezek a hibák nem az EV hibái, és azokat a fogyasztónak vagy egy erre szakosodott szervezetnek saját költségén kell kijavítania.

Ha a fenti ajánlások alapján nem sikerül megoldani a problémákat, vagy ha egyéb problémák merülnek fel, forduljon a kezelési útmutatóban felsorolt hivatalos szervizközpontoz.



3. ábra. Lehetséges termikus kapcsoló elrendezésének diagramja

13. AZ ELEKTROMOS VÍZMELEGÍTŐK SZÁLLÍTÁSA ÉS TÁROLÁSA

Az elektromos vízmelegítők szállítása és tárolása a csomagoláson található pikto grammoknak megfelelően történik:



– meg kell védeni az árut a nedvességtől



– törékeny, kényes kezelés



– ajánlott tárolási hőmérséklettartomány $+5^{\circ}$ és $+40^{\circ}$ között



– a rakomány helyes függőleges helyzetben;

14. ÁRTALMATLANÍTÁS

Az EV telepítésére, üzemeltetésére és karbantartására vonatkozó szabályok betartása és a jelenlegi szabványnak megfelelő vízminőség esetén a gyártó az EV élettartamát a vásárlástól számított 9 évben határozza meg.

A vízmelegítő minden alkatrésze olyan anyagokból készül, amelyek adott esetben lehetővé teszik a környezetbarát ártalmatlanítást, amelyet a vízmelegítő üzemeltetése szerinti ország szabályainak és előírásainak megfelelően kell elvégezni.

Az EV ártalmatlanításakor tartsa be a helyi környezetvédelmi törvényeket és irányelveket.

A gyártó fenntartja a jogot, hogy a vízmelegítő kialakításában és specifikációiban előzetes értesítés nélkül változtatásokat eszközöljön.

15. GYÁRTÓI GARANCIA

A gyártó a vízmelegítőre 2 év garanciát vállal, az alkatrészekre és részegységekre vonatkozó garanciaidő pedig a következő:

víztartály (belső tartály) esetében - 5 év;

egyéb alkatrészek (fűtőbetét, termosztát, ellenőrző lámpák, tömitések, hőmérséklet-jelző, nyomáscsökkentő szelep) esetében - 2 év.

A jótállási időszakot az EV értékesítésének időpontjától számítják. Ha nincs vagy javított az eladási dátum és a bolti bélyegző, a jótállási időszakot az EV gyártásának dátumától kell számítani. A jótállási időn belüli reklamációkat csak az eladó jelzéseiellátott jótállási jegy és az EV burkolatán lévő azonosító tábla bemutatása esetén fogadjuk el. A vízmelegítő kiadásának dátuma a burkolaton található azonosító táblán található egyedi sorozatszámában van kódolva. Az EV sorozatszáma tizenhárom számjegyből áll. A sorozatszám harmadik és negyedik számjegye a gyártási év, az ötödik és hatodik számjegy a kiadás hónapja, a hetedik és nyolcadik számjegy az EV kiadásának Rif kódja. A jótállási időn belüli reklamációkat csak az eladó jelzéseiellátott garanciajegy és az EV burkolatán lévő azonosító tábla bemutatásával fogadjuk el.

A garancia csak az EV-re vonatkozik. A szerelési és csatlakoztatási előírások betartásáért a felelősség a vevőt (saját csatlakoztatás esetén) vagy a csatlakoztatást végző szerelőt terheli.

A magnézium anód első cseréjét legkésőbb az EV beszerelésétől számított 12 hónapon belül kell elvégezni. Amennyiben a telepítő cég pecsétjével ellátott jótállási jegyen nincs feltüntetve a beszerelés, az időtartamot a vásárlás időpontjától kell számítani. A rendszeres időszakos karbantartás és a magnézium anód időben történő éves cseréje elengedhetetlen a gyártói garancia fenntartásához. Az anód cseréjéhez mellékelni kell a jótállási jegyen szereplő jelölést, ha a cserét egy szerviz végzi, vagy a tulajdonos általi csere esetén a vásárlásról szóló, mellékelte eladási bizonylatot.

A gyártó nem vállal felelősséget az EV itt meghatározott telepítési, üzemeltetési és karbantartási elveinek megsértéséből eredő hibákért, beleértve azokat az eseteket is, amikor ezek a hibák az EV üzemeltetésének helyén lévő hálózat (elektromos áram és víz) hibás paraméterei, valamint harmadik fél beavatkozása miatt keletkeztek. A gyártói garancia nem terjed ki az EV megjelenésével kapcsolatos igényekre.

16. A GYÁRTÓRA VONATKOZÓ INFORMÁCIÓK

Gyártó:

AnHui Weber New Energy Water Heating System Equipments Co., Ltd.

No. 500 YinHuangXi Road, Ma'anshan economic and Technological Development Zone, Anhui, China

Minden modell tanúsított és megfelel a következő európai irányelvek követelményeinek: 2014/35/EU, 2014/30/EU és 2011/65/EU (RoHS).



Nyomtatásból vagy elírásból eredő hibákért felelősséget nem vállalunk. Az ábrák és a képek tájékoztató jellegűek. Az importőr fenntartja a jogot a tartalom megváltoztatására.

Kizárólagos magyarországi forgalmazó, és a garanciális kötelezettségeket ellátja:

Cégnév: BOKOPRI Kft.

Székhely: HU-6500 Baja, Mártonszállási út 10.

Adószám: 14727667-2-03

Elérhetőség: szerviz@biokopri.hu

Web: www.biokopri.hu

BOKOPRI
Megújuló energia és fűtéstechnika

TERMÉK JEGY

Típus:..... Gyártási szám:.....

Eladás helyszíne és dátuma:

Értékesítést végző cég neve:.....

Az értékesítő cég képviselőjének aláírása:.....

Bélyegző helye:

A terméket sérülésmentesen átvettem, arra vonatkozó panaszom nincs. a szükséges utasításokkal. Elolvastam, megértettem és elfogadtam a működési szabályokat és a jótállási feltételeket.

Vásárló aláírása _____



ÎNAINTE DE A UTILIZA BOILERUL ELECTRIC PENTRU PRIMA DATĂ, CITIȚI CU ATENȚIE ACEST MANUAL DE INSTRUCȚIUNI.

STIMATE CUMPĂRĂTOR!

Felicitări pentru achiziționarea boilerului electric THERMEX.

Boilerele THERMEX sunt proiectate și fabricate în strictă conformitate cu standardele naționale și internaționale, garantând fiabilitate și siguranță.

Acest manual se aplică modelelor THERMEX Mara. Denumirea completă a modelului încălzitorului dvs. poate fi găsită în secțiunea „Garanția producătorului” (în subsecțiunea „Notă”) și pe plăcuța de identificare de pe capacul încălzitorului.

1. UTILIZARE

Încălzitorul electric de apă (denumit în continuare boiler) este conceput pentru a furniza apă caldă instalațiilor casnice și industriale cu o presiune de funcționare de cel puțin 0,05 MPa și cel mult 0,8 MPa.

Boilerul este destinat utilizării în interior, în încăperi încălzite, și nu este proiectat pentru funcționare continuă.

2. CONȚINUTUL PACHETULUI

| | |
|----------------------------|----------|
| Boiler | - 1 buc. |
| Supapă de siguranță tip GP | - 1 buc. |
| Instrucțiuni de utilizare | - 1 buc. |
| Trusă de asamblare | - 1 set |
| Ambalaj | - 1 buc. |

3. PRINCIPALELE CARACTERISTICI TEHNICE

Alimentarea cu energie electrică a boilerului electric trebuie să fie cuprinsă între 220-240 V. Frecvența rețelei de alimentare trebuie să fie de 50/60 Hz \pm 1%. Volumul rezervorului intern și capacitatea elementului de încălzire sunt indicate pe plăcuța de marcaj de pe carcasă. Diametrul filetului în țevile de intrare și ieșire a apei - G1/2".

Producătorul își rezervă dreptul de a modifica designul, setul complet și specificațiile încălzitorului fără notificare prealabilă.

| Model | Code | Timpul de încălzire mediu $\Delta T = 45^\circ \text{C}$ at 2.5 kW | Instalare |
|----------|---------|--|----------------------|
| Mara 30 | 111 404 | 0 h 40 min. | vertical / orizontal |
| Mara 50 | 111 405 | 1 h 06 min. | vertical / orizontal |
| Mara 80 | 111 406 | 1 h 46 min. | vertical / orizontal |
| Mara 100 | 111 407 | 2 h 13 min. | vertical / orizontal |

4. DESCRIERE, PRINCIPII DE FUNCȚIONARE

Învelișul exterior al boilerului este fabricat din plastic rezistent la impact. Rezervoarele interioare au un înveliș special din bio-glass-porțelan care protejează în mod fiabil suprafața interioară împotriva coroziunii chimice. Spațiul dintre carcasa exterioară și rezervorul interior este umplut cu spumă poliuretanică - o izolație termică modernă, ecologic curată, cu cele mai bune proprietăți de economisire a căldurii. Modelele Nuovo au două duze cu șurub: un inel albastru pentru intrarea apei reci (Fig. 1, p. 3) și un inel roșu pentru ieșirea apei calde (Fig. 1, p. 2). Butonul de control este situat în partea din față a boilerului pentru toate modelele (Figura 1, p. 16).

Elementul tubular de încălzire (ETI), termostatul și senzorii de comutare termică sunt montați pe flanșa detașabilă. ETI este utilizat pentru încălzirea apei, iar termostatul oferă posibilitatea de a regla temperatura de încălzire până la $+75^\circ\text{C}$. Toate modelele sunt controlate printr-un panou electronic de monitorizare. Electronica menține automat temperatura apei la nivelul setat de utilizator. Termostatul este folosit pentru protecția împotriva supraîncălzirii boilerului, deconectând ETI de la sursa de alimentare atunci când temperatura apei depășește 95°C . (Fig. 3).

Supapa de siguranță (figura 1, p. 5) acționează ca o supapă de reținere, asigurând protecția fluxului de apă de la boiler la sistemul de canalizare în cazul unei scăderi de presiune în sistemul de canalizare și al unei creșteri de presiune în rezervor în timpul încălzirii apei la temperatură ridicată, iar supapa de siguranță funcționează pentru a elimina suprapresiunea din rezervor în timpul încălzirii apei la temperatură ridicată. În timpul funcționării boilerului, este posibil ca apa să se scurgă prin conducta de evacuare a aspirației a supapei de siguranță destinată să asigure siguranța aparatului. Această țevă de ieșire trebuie să rămână deschisă spre atmosferă și trebuie să fie instalată permanent în jos.

Evacuarea apei din țeava de evacuare a supapei de siguranță către canalul de scurgere se asigură prin instalarea unui canal de scurgere a boilerului corespunzător.

Este necesar să se evacueze regulat (cel puțin o dată pe lună) o mică cantitate de apă prin țeava de evacuare a supapei de siguranță în canalizare, pentru a îndepărta depunerile de calcar și pentru a testa funcționarea acesteia. Maneta (Fig. 1, p. 15) este destinată deschiderii supapei. Este necesar să se controleze, atunci când se utilizează boilerul, ca această manetă să fie în poziția de închidere a evacuării apei din rezervor.

5. MĂSURI DE SIGURANȚĂ

Siguranța electrică și protecția împotriva coroziunii a boilerului sunt garantate numai dacă acesta este legat la pământ în mod eficient, în conformitate cu normele și reglementările aplicabile privind instalațiile electrice.

Țevile și fittingurile trebuie să respecte parametrii de instalații sanitare și să aibă certificatele de calitate necesare.

În timpul instalării și funcționării boilerului nu sunt permise următoarele:

- A utiliza boilerul atunci când nu este umplut cu apă.
- Scoateți capacul de protecție atunci când unitatea este pornită.
- Folosiți boilerul fără împământare sau utilizați o conductă de alimentare cu apă ca conexiune la pământ.
- Conectați boilerul la o alimentare cu apă cu o presiune mai mare de 0,8 MPa.
- Conectați boilerul la alimentarea cu apă fără supapă de siguranță.
- Golirea apei din boiler atunci când acesta este pornit.
- Utilizarea de piese de schimb nerecomandate de producător.
- Utilizarea de apă care conține impurități (nisip, pietre mici) care pot duce la defectarea boilerului și a supapei de siguranță.
- Modificarea designului și a dimensiunilor de instalare a suporturilor boilerului.

A Temperatura ambiantă trebuie să fie cuprinsă între 5°C și 40°C. Dacă apa din boiler îngheață, se va produce o defecțiune, ceea ce nu este un caz garanțial.



Trebuie să se acorde atenție pentru ca copiii să nu se joace cu boilerul electric. Boilerul electric nu poate fi utilizat de către persoane (inclusiv copii) care au capacități fizice, senzoriale sau mentale limitate sau care nu știu cum să utilizeze boilerul electric, cu excepția cazurilor în care acestea sunt supravegheate sau instruite de către persoanele responsabile pentru siguranța boilerului electric.

Pe parcursul funcționării boilerul trebuie verificat periodic pentru a se asigura că dispozitivul funcționează corespunzător (nu există scurgeri, miros de ars, fire care scânteiază etc.). În caz de întrerupere prelungită a funcționării încălzitorului de apă sau în caz de întreruperi ale alimentării cu apă, boilerul trebuie oprit și robinetul de intrare a apei reci trebuie închis.

6. INSTALARE ȘI CONECTARE

Toate lucrările de instalare, instalații sanitare și electrice trebuie să fie efectuate de un specialist.

7. INSTALARE ȘI MONTARE

Toate lucrările de instalare, instalații sanitare și electrice trebuie efectuate de un profesionist.

Instalarea boilerului trebuie efectuată în conformitate cu marcajul de pe carcasă.

Se recomandă ca boilerul să fie instalat cât mai aproape posibil de punctul de utilizare a apei calde pentru a reduce pierderile de căldură în conducte.

La alegerea locului de instalare, trebuie să se țină seama de greutatea totală a boilerului umplut cu apă. Pereții și podelele cu sarcină redusă trebuie consolidate în mod corespunzător. Atunci când faceți găuri în perete, luați în considerare cablurile, firele și țevile din perete.

Boilerul este suspendat cu ajutorul unor suporturi montate pe ancore cu cârlig fixate în perete. Cârligele montate pe perete trebuie să împiedice deplasarea suporturilor boilerului de-a lungul peretelui.

Producătorul nu este responsabil pentru căderea boilerului din cauza instalării și îndepărtării necorespunzătoare a ancorelor.

Pentru întreținerea boilerului, distanța dintre capacul de protecție și cea mai apropiată suprafață în direcția axei flanșei detașabile trebuie să fie de cel puțin 30 cm pentru toate modelele.



Pentru a evita deteriorarea proprietății utilizatorului și/sau a unor terțe părți în cazul unei defecțiuni a sistemului de apă caldă, boilerul trebuie instalat în încăperi cu impermeabilizare și drenaj și în niciun caz nu trebuie să se plaseze obiecte expuse sub boiler. În cazul în care nu este instalat într-o încăpere protejată, sub boiler trebuie instalată o placă de protecție (nu este furnizată) cu drenaj într-un canal de scurgere.

În cazul în care boilerul este instalat în locuri greu accesibile pentru întreținere și service în garanție (mezanin, cabine, cavități în acoperiș etc.), instalarea și demontarea boilerului este efectuată de către utilizator sau pe cheltuiala sa.

Notă: tava de siguranță nu este inclusă în pachetul de livrare al boilerului.

8. RACORDAREA LA REȚEAUA DE ALIMENTARE CU APĂ

Apa rece se introduce în boiler prin intermediul unui prefiltru cu un nivel de tratare a apei de cel puțin 200 μm .

Montați supapa de reducere a presiunii (figura 1, punctul 5) pe conducta de intrare a apei reci (figura 1, punctul 3) cu inelul albastru, efectuând 3,5-4 rotații. Asigurați etanșeitatea racordului cu orice material de etanșare (în, bandă FUM etc.).

În timpul funcționării boilerului, este posibil să observați scurgeri de apă din tubul de ieșire al supapei de siguranță pentru eliberarea excesului de presiune, pentru a asigura siguranța aparatului. Se recomandă conectarea unui tub de cauciuc sau de silicon cu diametru adecvat la orificiul de scurgere pentru a evacua umiditatea.

Racordarea la conducta de apă trebuie făcută așa cum se arată în figura 1, folosind țevi de cupru, de plastic sau conducte sanitare flexibile speciale. Nu utilizați țevi flexibile folosite. Se recomandă alimentarea cu apă a boilerului prin intermediul unui filtru montat pe conducta de apă rece (nu este furnizat).



Nu utilizați conducte flexibile de alimentare folosite. Nu operați boilerul electric fără o supapă de siguranță sau cu o supapă fabricată de alți producători.

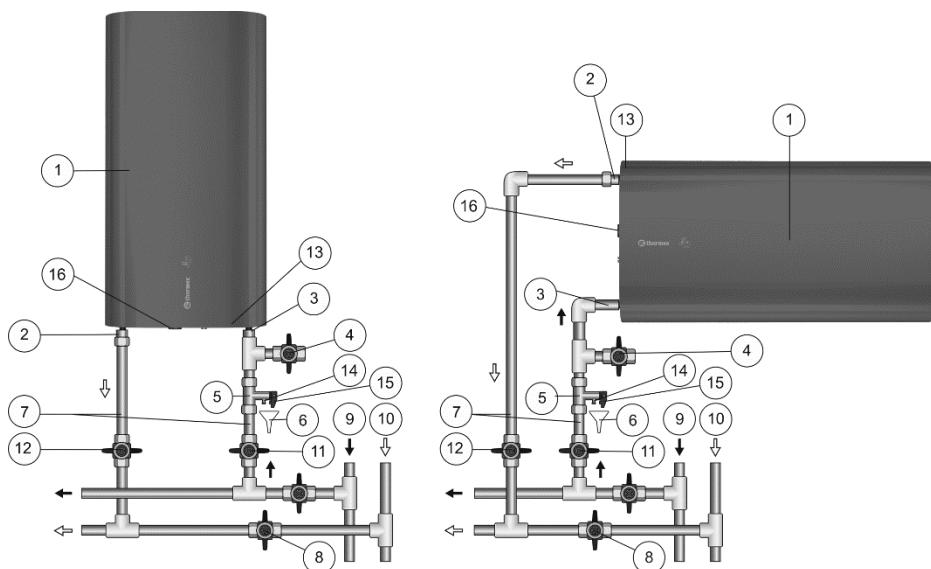


Figura 1. Racordarea boilerului la rețeaua de apă

Figura 1: 1 - Boiler, 2 – conducta de apă caldă, 3 – conducta de apă rece, 4 – supapa de drenaj (nu este inclus în pachetul de livrare), 5 – supapa de siguranță, 6 – tub scurgere (nu este inclus în pachetul de livrare), 7 – conductă de alimentare, 8 – supapă de închidere la funcționarea boilerului, 9 – conductă principală de apă rece, 10 – conductă principală de apă caldă, 11 – supapă de închidere apă rece, 12 - supapă de închidere apă

caldă, 13 – Capac de protecție, 14 - Conductă de evacuare a supapei de siguranță, 15 - Mâner pentru deschiderea supapei de siguranță, 16 -. Panou de control

După conectarea boilerului, asigurați-vă că supapa de închidere a apei reci este deschisă și supapa de închidere a apei calde (figura 1, punctul 8) este închisă. Deschideți robinetul de apă rece (figura 1, punctul 11), supapa de închidere a apei calde (figura 1, punctul 12) și robinetul de apă caldă de la mixer pentru a permite aerului să iasă din boiler. La umplerea finală a boilerului, apa va curge continuu din robinetul mixerului. Dacă boilerul este conectat în locuri unde nu există alimentare cu apă, acesta trebuie alimentat cu apă dintr-un rezervor auxiliar cu ajutorul unei pompe sau dintr-un rezervor amplasat la cel puțin 5 metri deasupra boilerului.

Notă: Pentru a facilita întreținerea în timpul funcționării boilerului, este recomandat să instalați supapa de scurgere (figura 1, punctul 4) conform figurii 1 (în cazul modelelor fără conductă de scurgere). (nu este inclus în pachetul de livrare).

Dacă presiunea apei depășește 0,8 MPa la intrarea de apă rece a boilerului, înaintea supapei de siguranță (în direcția fluxului), trebuie instalată o supapă de reducere a presiunii corespunzătoare (nu este inclusă în pachetul de livrare) pentru a reduce presiunea.

9. CONECTAREA LA REȚEAUA ELECTRICĂ

A Înainte de a conecta boilerul la rețeaua electrică, asigurați-vă că parametrii acestuia sunt în conformitate cu specificațiile tehnice ale aparatului.

ATENȚIE! Asigurați-vă că boilerul este umplut cu apă înainte de a porni aparatul!

Încălzitorul de apă trebuie să fie legat la pământ pentru o funcționare sigură. Boilerul este echipat cu un cablu de rețea (opțional), o priză de alimentare (opțional). Priza de rețea trebuie să aibă o conexiune împământată cu un fir de împământare conectat și trebuie să fie amplasată într-un loc protejat de umiditate sau să îndeplinească cel puțin cerințele IPX4.

10. FUNCȚIONARE

Boilerul electric de apă (EWH) este pornit/oprit prin rotirea liniei indicatoare de pe butonul de control, situat pe capacul de protecție al boilerului, în zona „OFF” (Fig. 1, p. 16). Temperatura apei din rezervorul interior este reglată utilizând butonul de control (Fig. 1, p. 16), în intervalul de valori de la „OFF” (valori minime) până la „HIGH” (valori maxime). Indicatorul luminos de control afișează modul de funcționare al boilerului - acesta luminează atunci când apa este încălzită și se stinge atunci când temperatura setată este atinsă.

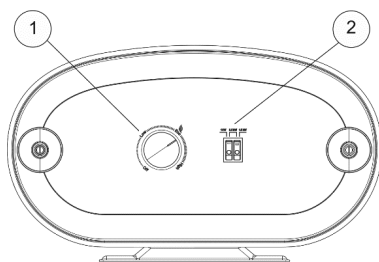


Fig. 2. Panou de control mecanic

Figura 2: 1 - Controlul temperaturii (creșterea / scăderea temperaturii de încălzire),
2 - Controlul puterii (setarea puterii de încălzire).

Pornirea butonului de control al alimentării din stânga activează încălzirea la o putere minimă de 1000 de Wați, iar pornirea celui din dreapta activează încălzirea la o putere de 1500 de Wați. Pornirea simultană a ambelor butoane activează încălzirea la o putere maximă de 2500 de Wați.

11. ÎNTREȚINEREA

Elementul de încălzire este verificat în timpul întreținerii. În același timp, se îndepărtează acumularea ocazională de calcar în partea de jos a boilerului. În cazul în care există calcar pe elementul de încălzire, acesta poate fi îndepărtat cu ajutorul unor instrumente de decalcifiere sau mecanic. Se recomandă ca prima întreținere tehnică să fie efectuată de către o firmă specializată după un an de la data conectării și ca timpul pentru întreținerea ulterioară să fie stabilit în funcție de intensitatea calcarului și a reziduurilor. Această măsură va prelungi durata maximă de viață a boilerului.

Prima înlocuire a anodului de magneziu ar trebui efectuată în termen de cel mult 12 luni de la instalarea boilerului. În cazul în care instalarea nu este indicată pe tichetul de garanție ștampilat de instalator, perioada se calculează de la data achiziției. Întreținerea periodică și înlocuirea anuală la timp a anodului de magneziu sunt esențiale pentru a menține garanția producătorului. Înlocuirea anodului trebuie să fie însoțită de indicația de pe tichetul de garanție, dacă înlocuirea este efectuată de un agent de service, sau de chitanța de cumpărare anexată, dacă înlocuirea este efectuată de către proprietar.



ATENȚIE: Depunerea de calcar pe elementul de încălzire poate cauza deteriorarea acestuia.

Notă: Deteriorările cauzate de calcarul de pe elementul de încălzire nu sunt acoperite de garanție. Întreținerea regulată nu este acoperită de garanția producătorului și a vânzătorului.

Întreținerea ar trebui să includă următoarele:

- Opriți boilerul;
- Răciți apa caldă sau evacuați-o din boiler;

- Opriți întrarea apei reci în boiler;
- Deșurubați supapa de suprapresiune sau deschideți supapa de golire;
- Se montează un furtun de cauciuc la supapa de intrare sau de ieșire a alimentării cu apă rece, iar celălalt capăt se direcționează către scurgere;
- Deschideți robinetul de apă caldă al mixerului și goliți apa din boiler prin furtun;
- Îndepărtați capacul de protecție, scoateți cablurile, deșurubați și scoateți flanșa detașabilă din carcasă;
- Dacă este necesar, curățați elementul de încălzire de calcar și îndepărtați reziduurile din rezervor;
- Asamblați, umpleți boilerul cu apă și porniți aparatul.

Pentru modelele cu țevă de scurgere, este suficient să opriți debitul de apă rece în boiler, să deșurubați dopul de scurgere al țevii de scurgere și să deschideți robinetul de apă caldă. Ca-să fie golită apa, alimentarea cu apă rece în boiler poate fi deschisă pentru o perioadă de timp pentru spălarea în continuare a rezervorului.

În cazul în care întreținerea boilerului este efectuată de către specialiști, pe cuponul de service trebuie să se plaseze un semn cu ștampila specialistului care efectuează întreținerea.

12. POSIBILE DEFECTE ȘI SOLUȚIONAREA LOR

| Defecțiunea | Cauze posibile | Soluționarea |
|--|---|---|
| Presiunea apei calde din boiler a scăzut. Presiunea apei reci rămâne la același nivel. | Supapă de siguranță de admisie blocată | Scoateți supapa și curățați-o în apă |
| Durata de încălzire a crescut | Elementul de încălzire este acoperit cu un strat de nămol | Îndepărtați flanșa și curățați elementul de încălzire |
| | Tensiune redusă a sursei de alimentare | Contactați furnizorul de energie electrică |
| Declanșarea frecventă a întrerupătorului de căldură | Temperatura setată este aproape de limită | Setarea temperaturii minime de încălzire a apei |
| | Tubul termostatului este înfundat | Îndepărtați flanșa detașabilă a boilerului și curățați tubul cu grijă |

| | | |
|---|--|---|
| Cazanul funcționează, dar nu încălzește apa | Supapa (figura 1, punctul 8) nu este închisă sau nu funcționează. | Închideți sau înlocuiți supapa (figura 1, punctul 8). |
| Boilerul care funcționează nu încălzește apa. Nu există iluminare de fundal pentru indicatoarele luminoase. | <ol style="list-style-type: none"> 1) Nu există tensiune în rețeaua electrică; 2) Cablul de alimentare deteriorat; 3) Întrerupătorul de căldură este activat, dar nu este pornit. | <ol style="list-style-type: none"> 1) Verificați tensiunea la priză; 2) Contactați un centru de service calificat. 3) Deconectați alimentarea cu energie electrică, scoateți capacul boilerului, apăsați butonul întrerupătorului de căldură până când auziți un clic, repuneți capacul și porniți aparatul. |

Dfecțiunile menționate mai sus nu sunt defecte ale boilerului și trebuie remediate de către consumator sau pe cheltuiala acestuia

În cazul în care nu reușiți să rezolvați problemele folosind recomandările de mai sus sau dacă apar alte probleme, vă rugăm să contactați centrul de service autorizat listat în manualul de utilizare.

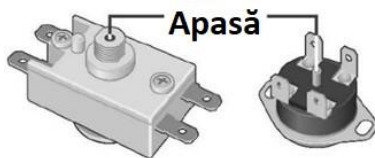


Figura 2. Diagrama aranjamentului comutatorului termic

13. TRANSPORTUL ȘI DEPOZITAREA BOILERELOR ELECTRICE

Boilerule sunt transportate și depozitate în conformitate cu pictogramele de pe ambalaj:



– protejează mărfurile de umiditate



– Fragile



– Intervalul de temperatură de depozitare recomandat +5° până la +40°



– Depozitarea corectă în poziție verticală

14. ELIMINAREA

În cazul în care sunt respectate regulile de instalare, funcționare și întreținere a boilerului, iar calitatea apei este conformă cu standardele actuale, producătorul specifică o durată de viață de 7 ani de la data achiziției.

Toate componentele boilerului sunt fabricate din materiale care permit o eliminare ecologică, dacă este cazul, în conformitate cu normele și reglementările țării.

Atunci când eliminați boilerul, respectați legile și orientările locale privind mediul înconjurător.

Producătorul își rezervă dreptul de a aduce modificări în proiectarea și specificațiile boilerului fără notificare prealabilă.

15. GARANȚIA PRODUCĂTORULUI

Producătorul garantează pentru boileru și pentru piese și subpărți este de 2 ani,

Perioada de garanție începe de la data achiziționării boilerului. Dacă nu există o ștampilă a magazinului care să confirme data cumpărării sau dacă a fost reparat, perioada de garanție începe cu data de fabricație a aparatului indicată pe plăcuța de identificare a corpului. Data de fabricație este codificată prin numărul de serie unic de pe placa de identificare (autocolant) de pe partea superioară a corpului. Numărul de serie al aparatului este format din treisprezece cifre. A treia și a patra cifră indică anul de fabricație, a cincea și a șasea cifră indică luna de fabricație, iar a șaptea și a opta cifră indică ziua de fabricație. În timpul perioadei de garanție, cererile de despăgubire vor fi acceptate dacă acest manual este prezentat împreună cu ștampila furnizorului și plăcuța de identificare de pe corpul boilerului.

Garanția se aplică numai la boiler. Răspunderea pentru respectarea principiilor de instalare și conectare revine cumpărătorului (în cazul conectării proprii) sau instalatorului care efectuează conectarea.

A Prima înlocuire a anodului de magneziu se efectuează în termen de cel mult 12 luni de la instalarea boilerului. În cazul în care tichetul de garanție cu ștampila instalatorului nu menționează instalarea, perioada se calculează de la data achiziției. Întreținerea periodică regulată și înlocuirea anuală la timp a anodului de magneziu sunt esențiale pentru a menține garanția producătorului. Înlocuirea anodului trebuie să fie marcată pe talonul de garanție dacă înlocuirea este efectuată de un centru de service sau, dacă înlocuirea este efectuată de proprietar, trebuie să fie însoțită de o chitanță de vânzare.

Producătorul nu este răspunzător pentru nicio defecțiune care rezultă din nerespectarea principiilor de instalare, funcționare și întreținere a boilerului, astfel cum sunt prezentate în prezentul document, inclusiv în cazurile în care astfel de defecțiuni se datorează parametrilor inadecvați ai rețelei (de electricitate și de apă) în care este exploatat boilerul sau intervenției unor terțe părți. Garanția producătorului nu acoperă reclamațiile legate de aspectul boilerului.

16. A INFORMAȚII DESPRE PRODUCĂTOR

Producător:

AnHui Weber New Energy Water Heating System Equipments Co., Ltd.

No. 500 YinHuangXi Road, Ma'anshan economic and Technological Development Zone, Anhui, China

Toate modelele sunt certificate și sunt conforme cu cerințele Directivelor europene 2014/30/UE, 2014/35/UE and 2011/65/EU (RoHS).



Importator din Romania:

Importator exclusiv THERMEX România: Falcon Tech Încalzire Srl Adresa: Miercurea Ciuc Str. Harghita nr.92 Tel.:

Tel: 0770 942 081 Web: www.incalzirerom.ro

E-mail: info@incalzirerom.ro

Nu putem fi trași la răspundere pentru erori datorate tipăririi sau dactilografierii. Ilustrațiile și imaginile sunt doar cu titlu informativ. Importatorul își rezervă dreptul de a modifica conținutul.

Este distribuitor exclusiv în România și îndeplinește obligațiile de garanție:

Numele companiei: Falcon Tech Incalzire Srl.

Adresa: Miercurea Ciuc Str. Harghita nr.92

E-mail: info@incalzirerom.ro

Web: www.incalzirerom.ro



Tip:.....

Număr producție:.....

Locul și data vânzării:.....

Numele companiei de vanzari:.....

Semnătura reprezentantului companiei de vânzări... ..

Ștampilă:.....

Am primit produsul nedeteriorat, nu am reclamatii in legatura cu el. Am citit și am înțeles regulile de funcționare și condițiile de garanție.

Semnătura clientului.....



PRE PRVE UPOTREBE VAŠEG ELEKTRIČNOG BOJERA, PAŽLJIVO PROČITAJTE OVO UPUTSTVO ZA UPOTREBU

POŠTOVANI KUPCE!

Hvala Vam što ste kupili THERMEX električni bojler.

Bojlери THERMEX su dizajnirani i proizvedeni u strogoм skladu sa domaćim i međunarodnim standardima koji garantuju pouzdanost i sigurnost rada.

Ovo uputstvo se odnosi na THERMEX modele Mara . Pun naziv modela vašeg bojlera je naveden u odeljku „ Garancija proizvođača “ (pododeljak „Napomena o prodaji“) i na pločici na kućištu bojlera.

1. PRIMENA

Električni bojler je dizajniran za snabdevanje toplom vodom za kućne i indus-trijske objekte koji imaju pritisak u liniji za dovod hladne vode ne manji od 0,05 MPa i ne veći od 0,8 MPa.

Bojler treba da radi u zatvorenom i zagrejanim prostorijama i nije namenjen da funkcioniše kao protočni bojler.

2. STANDARDNA OPREMA

| | |
|---------------------------|-----------|
| Bojler | - 1 kom . |
| Sigurnosni ventil tipa GP | - 1 kom . |
| Uputstvo za upotrebu | - 1 kom . |
| Instalacioni komplet | - 1 set |
| Pakovanje | - 1 kom . |

3. GLAVNE TEHNIČKE KARAKTERISTIKE

Napajanje treba da bude u opsegu od 220-240 V. Frekvencija mreže za napajanje 50/60 Hz \pm 1%. Zapremina unutrašnjeg rezervoara i snaga grejnog elementa su navedeni na pločici. Prečnik navoja u cevima za dovod i izlaz vode - G1/2".

Proizvođač zadržava pravo izmene dizajna, kompletnog seta i specifikacija grejača bez prethodne najave.

| Model | Kod | Prosečno vreme zagrevanja $\Delta T = 45^\circ \text{C}$ na 2,5 kW | Montaža |
|----------|---------|---|---------------------------|
| Mara 30 | 111 404 | 0 h 40 min. | vertikalno / horizontalno |
| Mara 50 | 111 405 | 1 h 06 min. | vertikalno / horizontalno |
| Mara 80 | 111 406 | 1 h 46 min. | vertikalno / horizontalno |
| Mara 100 | 111 407 | 2 h 13 min. | vertikalno / horizontalno |

4. OPIS I NAČIN RADA

Spoljno kućište bojlera je napravljeno od čelika. Unutrašnji rezervoari imaju poseban bio-staklo-porculanski premaz koji pouzdano štiti unutrašnju površinu od hemijske korozije. Prostor između spoljašnjeg kućišta i unutrašnjeg rezervoara ispunjen je poliuretanskom penom - modernom, ekološki čistom toplotnom izolacijom, koja ima najbolje karakteristike uštede toplote. Modeli Mara imaju dvapriključka: za ulaz hladne vode (slika 1, str. 3) sa plavim prstenom i za izlaz tople vode (slika 1, str. 2) — sa crvenim prstenom. Komandno dugme, u svim modelima, nalazi se na donjoj strani bojlera. (Sl. 1, str. 16).

Grejač, termostat i senzori termalnog prekidača su montirani na priрубnici koja se može ukloniti. Grejač služi za zagrevanje vode, a termostat pruža mogućnost regulacije temperature grejanja do $+75^\circ\text{C}$. Svi modeli se kontrolišu elektronskim upravljačkim panelom. Elektronika automatski održava temperaturu vode na nivou koji je odredio korisnik. Za zaštitu od pregrevanja bojlera koristi se termostat, koji isključuje grejač iz napajanja kada temperatura vode pređe 95°C . (slika 3).

Sigurnosni ventil (Sl. 1, str. 5) radi kao nepovratni ventil, obezbeđujući zaštitu od ulaska vode iz bojlera u kanalizaciju u slučaju pada pritiska i u slučaju porasta pritiska u rezervoaru na visoko zagrevanje vode, kao i funkcije sigurnosnog ventila, oslobađanja nadpritiska u rezervoaru pri visokom zagrevanju vode. Tokom rada bojlera voda može da iscure iz izduvne cevi sigurnosnog ventila kako bi se smanjio prekomerni pritisak, koji je napravljen u svrhu bezbednosti bojlera. Ova izlazna cev treba da ostane otvorena za atmosferu i da se postavlja stalno dole.

Odvod vode iz izduvne cevi sigurnosnog ventila u odvod treba obezbediti ugradnjom odgovarajuće drenaže.

Potrebno je redovno (najmanje jednom mesečno) ispuštati malu količinu vode kroz izduvnu cev sigurnosnog ventila u odvod da bi se uklonile naslage kamenca i ispitala radna funkcionalnost ventila. Ručka (slika 1, str. 15) je namenjena za otvaranje ventila. Potrebno je kontrolisati pri radu bojlera da ova ručka bude u položaju zatvaranja ispuštanja vode iz rezervoara.

5. MERE SIGURNOSTI

Električna sigurnost i zaštita od korozije bojlera su zagarantovane samo ako postoji efikasno uzemljenje u skladu sa važećim pravilima i propisima za električnu instalaciju.

Vodovodne cevi i fitinzi moraju biti zadovoljavajućeg kvaliteta i u skladu sa važećim pravilima i propisima za vodovodne instalacije.

Prilikom instaliranja i rada bojlera nije dozvoljeno sledeće:

- Stavljanje pod napon ako bojler nije napunjen vodom.
- Uklanjanje zaštitnog poklopca kada je napajanje uključeno.
- Koristiti bojler bez uzemljenja ili koristite vodovodne cevi kao uzemljenje.
- Priklučenje bojlera na vodovod sa pritiskom većim od 0,8 MPa.
- Priklučenje bojlera na dovod vode bez sigurnosnog ventila.
- Ispuštanje vode iz bojlera dok je bojler uključen.
- Da koristite rezervne delove koje nije preporučio proizvođač.
- Da koristite vodu iz bojlera za kuvanje.
- Koristiti vodu koja sadrži nečistoće (pesak, sitno kamenje), što može dovesti do kvara bojlera i sigurnosnog ventila.
- Izmeniti dizajn i instalacione dimenzije nosača bojlera.

Temperatura okoline treba da bude u opsegu od 5°C do 40°C. U slučaju niskih temperature voda u bojleru može smrznuti i dovesti do kvara što automatski znači gubitak garancije.



PAŽNJA! Treba obratiti pažnju na decu kako se ne bi igrala sa bojlerom. Bojler nije namenjen za upotrebu od strane osoba (uključujući decu) sa ograničenim fizičkim, senzornim ili mentalnim sposobnostima, ili od strane osoba koje ne znaju da koriste bojler, osim u slučajevima kada se to dešava pod nadzorom ili uputstvima lica odgovornih za bezbednost bojlera.

Tokom rada bojlera, potrebno je redovno proveravati ispravnost (odsustvo kapanja, mirisa paljevine, varnica na žicama, itd.). U slučaju dužih prekida u radu, kvarova u vodosnabdevanju, bojler mora biti isključen i ventil za dovod hladne vode mora biti zatvoren.

6. INSTALACIJA I PRIKLJUČIVANJE

Sve instalacijske, vodovodne i elektro radove mogu obaviti samo stručna lica.

7. IZBOR LOKACIJA I UGRADNJA

Sve instalacijske, vodovodne i elektro radove mogu obaviti samo stručna lica.

Instalacija bojlera vrši se u skladu sa oznakom na kućištu.

Preporučuje se postavljanje bojlera što je moguće bliže mestu tople vode kako bi se smanjili gubici toplote u cevima.

Prilikom izbora mesta ugradnje treba uzeti u obzir ukupnu težinu bojlera napunjene vodom. Shodno tome treba ojačati zidove i pod sa malom nosivošću. Prilikom bušenja (pravljenja) rupa u zidu razmotrite kablove, kanale i cevi u zidu.

Bojler se kači na postavljene kuke. Kuke koje se montiraju na zid treba da isključe spontano pomeranje bojlera nosača duž njih.

Proizvođač ne snosi odgovornost za pad bojlera usled nepravilnog postavljanja ankera i njihovog izbora.

U cilju održavanja za skidanje poklopca kućišta je potrebno barem 30 cm prostora do najbliže prepreke.



Da bi se sprečilo oštećenje imovine korisnika i/ili trećih lica u slučaju neispravnog sistema tople vode, bojler mora biti opremljen hidroizolacijom i drenažom, a predmeti se nikada ne smeju postavljati ispod uređaja. Ako se bojler ne postavi na bezbedno mesto potrebno je postaviti zaštitnu ploču (nije deo opreme).

U slučaju postavljanja bojlera na teško dostupnim mestima (mezaninski podovi, niše, plafonske šupljine i sl.) radi obavljanja održavanja i garantnog servisa, montažu i demontažu bojlera vrši korisnik sam ili za svoje potrebe treće lica, na trošak korisnika.

Napomena: sigurnosna posuda nije uključena u obim isporuke bojlera.

8. PRIKLJUČIVANJE NA VODOVODNU MREŽU

Hladna voda se mora snabdevati pomoću predfiltera sa nivoom tretmana vode od najmanje 200 µm.

Ugradite ventil za smanjenje pritiska (sl. 1, str. 5) na ulazu hladne vode (slika 1, str. 3) sa plavim prstenom, sa 3,5-4 okreta, obezbeđujući nepropusnost spoja sa bilo kojim zaptivnim materijalom (lan, FUM. traka itd.).

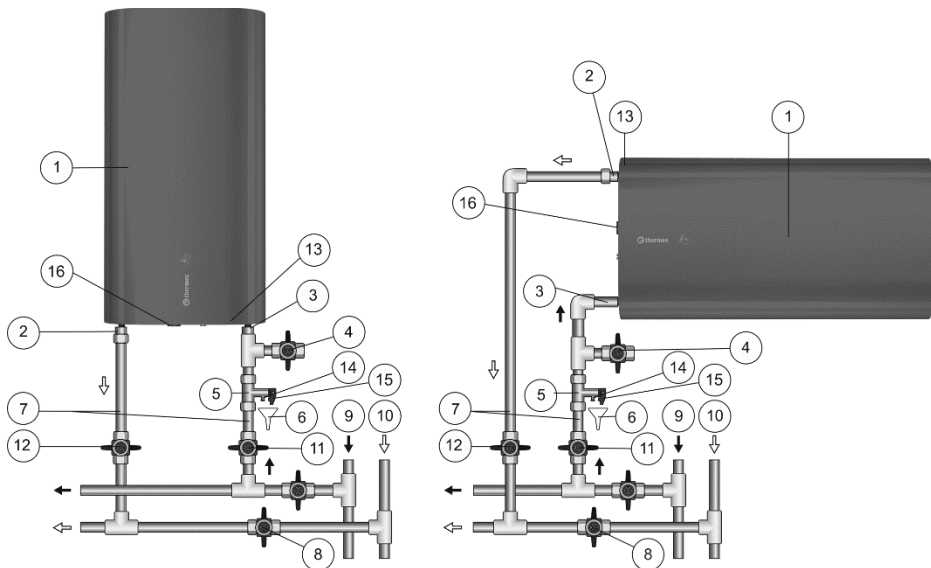
Tokom rada bojlera možete primetiti curenje vode iz izlazne cevi sigurnosnog ventila zbog prevelikog otpuštanja pritiska kako biste osigurali sigurnost bojlera.

Preporučuje se da se na drenažni otvor poveže gumena ili silikonska cev odgovarajućeg prečnika radi uklanjanja vlage.

Priključak na vodovodnu liniju vrši se u skladu sa sl. 1 pomoću bakarnih, plastičnih cevi ili specijalnih fleksibilnih sanitarnih cevi. Nemojte koristiti korišćene cevi. Preporučljivo je priključenje bojlera na hladnu vodu izvesti tako da se na dovod ugradi filter nečistoća (nije u paketu).



Nemojte koristiti korišćene fleksibilne dovodne cevi. Nemojte koristiti bojler bez sigurnosnog ventila ili sa ventilom drugih proizvođača.



Slika 1. Bojler dijagram priključka na vodovod

Slika 1 : 1 – bojler, 2 – cev za toplu vodu, 3 – cev za hladnu vodu, 4 – odvodni ventil (nije u obimu isporuke), 5 – sigurnosni ventil, 6 – odvod (nije u obimu isporuke), 7 – dovodna cev, 8 – zaporni ventil pri radu bojlera, 9 – magistralna voda za hladnu vodu, 10 – cev za toplu vodu, 11 – zaporni ventil za hladnu vodu, 12 – zaporni ventil za toplu vodu, 13 – zaštitni poklopac, 14 – izduvna cev sigurnosnog ventila, 15 – ručka za otvaranje ventila za smanjenje pritiska, 16 – komandna tabla.

Nakon povezivanja bojlera proverite da li je ventil za zatvaranje hladne vode otvoren, a ventil za zatvaranje tople vode (Sl. 1, str. 8) zatvoren. Otvorite slavinu za hladnu vodu u bojler (Sl. 1, str. 11), izlazni ventil tople vode (Sl. 1, str. 12) i slavinu za toplu vodu na slavini da biste obezbedili odliv vazduha iz bojlera. Prilikom konačnog punjenja bojlera, voda će neprekidno teći iz slavine za mešanje. Prilikom priključenja bojlera na mestima koja nisu obezbeđena vodom, dozvoljeno je snabdevanje vodom u iz pomoćnog rezervoara pomoću pumpne stanice, ili iz rezervoara postavljenog na visini ne manjoj od 5 metara iznad vrha bojlera.

Napomena: radi lakšeg održavanja tokom rada bojlera preporučuje se ugradnja odvodnog ventila (slika 1, str. 4) u skladu sa slikom 1 (za modele koji nisu opremljeni drenažnom cevi (nije u obimu isporuke)).

Ako pritisak vode prelazi 0,8 MPa, na ulazu hladne vode, ispred sigurnosnog ventila (u smeru protoka vode), mora se instalirati odgovarajući ventil za redukciju pritiska (nije u obimu isporuke) za smanjenje pritiska vode na standard.

9. PRIKLJUČENJE NA ELEKTRIČNU MREŽU

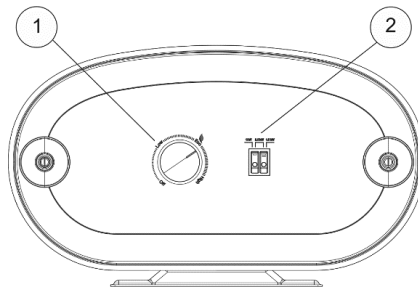
Pre priključivanja bojlera na električnu mrežu, proverite da li njegovi parametri odgovaraju tehničkim specifikacijama bojlera.

PAŽNJA! Pre uključivanja struje proverite da li je bojler napunjen vodom!

Bojler mora biti uzemljen da bi se obezbedio siguran rad. Bojler je opremljen stacionarnim kablom za napajanje (opcija) sa Europlug-om (opcija). Utičnica treba da ima priključak za uzemljenje sa priključenim žicom za uzemljenje i da se nalazi u prostoru zaštićenom od vlage, ili da ispunjava zahteve najmanje 1RX4.

10. RAD UREĐAJA

Bojler se uključuje/isključuje okretanjem indikatorske linije na kontrolnom dugmetu koje se nalazi na zaštitnom poklopcu bojlera (Sl. 1, str. 16) u zonu „ISKLJUČENO“. Temperatura vode u unutrašnjem rezervoaru se podešava pomoću kontrolnog dugmeta (slika 1, str. 16) u opsegu vrednosti od "OFF" (minimalne vrednosti) do "HIGH" (maksimalne vrednosti). Kontrolna lampica prikazuje režim rada bojlera - svetli kada se voda zagreje i gasi se kada se postigne podešena temperatura.



Slika 2. Mehanička kontrolna tabla

Slika 2: 1 – Kontrola temperature (povećanje/ smanjenje temperature grejanja), 2 – Kontrola snage (podešavanje snage grejanja).

Uključivanjem levog dugmeta za kontrolu snage aktivira se grejanje na minimalnoj snazi od 1000 W, uključivanjem desnog – snaga grejanja od 1500 W, istovremeno uključivanje oba dugmeta aktivira grejanje na maksimalnu snagu od 2500 W.

11. TEHNIČKO ODRŽAVANJE

Prilikom obavljanja održavanja proverava se kamenac na grejaču . Istovremeno se uklanja ostatak koji se može nakupiti na dnu bojlera. Ako postoji kamenac na grejaču, može se ukloniti pomoću sredstava za uklanjanje kamena ili mehanički. Preporučuje se da se prvo tehničko održavanje održi nakon godinu dana od trenutka priključenja od strane stručnjaka specijalizovane organizacije i da se u zavisnosti od intenziteta kamena i ostatka određuju intervali naknadnog održavanja. Ova radnja će produžiti maksimalni radni vek bojlera.

Prva zamena magnezijumske anode će se izvršiti najkasnije 12 meseci od datuma ugradnje bojlera. U slučaju da nema oznake ugradnje u garantnom listu sa pečatom instalatera , rok se računa od dana kupovine. Redovno periodično održavanje i godišnja zamena magnezijumske anode na vreme je imperativ za održavanje garancije proizvođača. Zamena anode mora biti praćena oznakom u garantnom listu u slučaju zamene od strane servisne organizacije, ili priloženim računom o prodaji u slučaju zamene od strane vlasnika.



PAŽNJA: akumulacija kamena na grejaču može prouzrokovati njegovu štetu .

Napomena: Oštećenja na grejaču usled stvaranja kamena ne podležu garanciji. Redovno održavanje nije uključeno u garanciju proizvođača i prodavca.

Tokom održavanja potrebno je uraditi sledeće:

- Isključite napajanje bojlera;
- Toplu vodu ohladite ili je isпустite kroz slavinu;
- Prekid dovoda hladne vode u bojler;
- Odvrnite ispusni ventil ili otvorite odvodni ventil;
- Staviti gumeno crevo na dovod ili ispusni ventil za dovod hladne vode, a drugi kraj staviti u odvod;
- Otvorite toplu vodu na slavini i isпустite vodu iz bojlera kroz crevo;
- Uklonite zaštitni poklopac, odvojite žice, odvrnite i uklonite iz kućišta uklonjivu prirubnicu;
- Očistite ako je potrebno grejač od kamena i uklonite ostatke iz rezervoara;
- Sastavite, napunite napunite vodom i uključite.

Kod modela sa odvodnom cevi, dovoljno je da se prekine dotok hladne vode u bojler, odvrne drenažni stub na odvodnoj cevi i otvori slavina za toplu vodu. Kada se voda isпусти, možete na neko vreme otvoriti dovod hladne vode radi dodatnog pranja rezervoara.

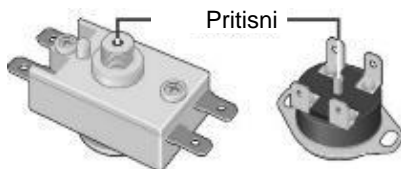
Ako održavanje bojlera obavljaju specijalizovane firme, na radnom profilu mora se staviti oznaka sa pečatom firme koja obavlja održavanje.

12. MOGUĆE GREŠKE I NJIHOVO OTKLANJANJE .

| Tehnička greška | Mogući uzrok | Rešenje |
|---|--|--|
| Pritisak tople vode iz bojlera je slab. Pritisak hladne vode ostaje na istom nivou. | Začepljen ulazni sigurnosni ventil | Uklonite ventil i očistite ga u vodi |
| Vreme grejanja je povećano | Grejač je prekriven slo-jem kamenca | Uklonite prirubnicu i očistite grejač |
| | Neodgovarajuće snabdevanje strujom | Kontaktirajte stručno lice |
| Često isključivanje termičkog prekidača | Podešena temperatura je blizu granice | Podesite nižu vrednost temperature zagrevanja vode |
| | Cev termostata je prekrivena kamencom | Izvadite uklonjivu prirubnicu i nežno očistite cev od kamenca |
| Bojler radi, ali ne zagreva vodu | Ventil (slika 1, str. 8) nije zatvoren ili neispravan | Zatvorite ili zamenite ventil (slika 1, str. 8) |
| Bojler ne zagreva vodu. Nema pozadinskog osvetljenja indikatorskih lampi. | <ol style="list-style-type: none"> 1) nema napona u električnoj mreži; 2) Oštećen kabl za napajanje; 3) Termalni prekidač je aktiviran i nije uključen. | <ol style="list-style-type: none"> 1) Proverite napon na električnoj utičnici; 2) Obratite se kvalifikovanom servisnom centru; 3) Isključite iz napajanja, uklonite zaštitni poklopac, pritisnite dugme na termalnom prekidaču dok ne čujete klik, instalirajte poklopac i uključite napajanje. |

Ove nisu greške bojlera tako da njihovo otklanjaspada na trošak korisnika.

Ako gore navedene preporuke ne reše probleme ili ako se pojave drugi problemi, kontaktirajte ovlašćeni servisni centar naveden u korisničkom priručniku.



Slika 2. Šema rasporeda termičkih prekidača

13. TRANSPORT I SKLADIŠTENJE ELEKTRIČNIH BOJLERA

Transport i skladištenje električnih bojlera vršiti u skladu sa oznakama manipulacije na ambalaži:



– potrebno je zaštititi robu od vlage



– krhko, delikatno rukovanje



– preporučeni temperaturni opseg skladištenja od +5° do +40° S



– ispravan vertikalni položaj tereta;

14. ODLAGANJE

U skladu sa pravilima ugradnje, rada i održavanja bojlera i kada je kvalitet vode u skladu sa važećim standardom, proizvođač postavlja vek trajanja od 9 godina od datuma kupovine.

Svi delovi bojlera su napravljeni od materijala koji omogućavaju, gde je to prikladno, ekološki prihvatljivo odlaganje koje se mora izvršiti u skladu sa pravilima i propisima zemlje u kojoj se bojler koristi.

Prilikom odlaganja bojlera poštuju lokalne zakone o zaštiti životne sredine i smer-nice.

Proizvođač zadržava pravo izmene dizajna i specifikacija grejača bez prethodne najave.

15. GARANCIJA PROIZVOĐAČA

Proizvođač postavlja 2 godine garancije za bojler, a garantni rok za delove i komponente je sledeći:

– za rezervoar sa vodom (unutrašnji rezervoar) – 5 godina;

- za ostale komponente (grejni element, termostat, indikatorske lampice, zaptivke, indikator temperature, ventil za smanjenje pritiska) - 2 godine.

Garantni rok počinje datumom prodaje električnog bojlera, koji se vidi na računu. Ako nema ili je ispravljen datum prodaje i pečat prodavnice, garantni rok se računa od datuma proizvodnje bojlera. Reklamacije u garantnom roku se prihvataju samo uz predočenje garantnog lista sa oznakama prodavca i identifikacione pločice na kućištu bojlera. Datum puštanja u promet bojlera je kodiran jedinstvenim serijskim brojem, koji se nalazi na identifikacionoj pločici na kućištu. Serijski broj se sastoji od trinaest cifara. Treća i četvrta cifra serijskog broja su godina proizvodnje, peta i šesta cifra - mesec izdavanja, sedma i osma cifra - dan izdavanja bojlera. Reklamacije u garantnom roku se prihvataju samo uz predočenje garantnog lista sa oznakama prodavca i identifikacione pločice na kućištu bojlera.

Garancija se odnosi samo na bojler. Odgovornost za poštovanje principa ugradnje i priključenja snosi kupac (u slučaju sopstvenog priključenja) ili instalater koji vrši priključenje.

Prva zamena magnezijumske anode će se izvršiti najkasnije 12 meseci od datuma ugradnje. U slučaju da nema oznake ugradnje u garantnom listu sa pečatom instalatera, rok se računa od dana kupovine. Redovno periodično održavanje i godišnja zamena magnezijumske anode na vreme je imperativ za održavanje garancije proizvođača. Zamena anode mora biti praćena oznakom u garantnom listu u slučaju zamene od strane servisne organizacije, ili priloženim računom o prodaji u slučaju zamene od strane vlasnika.

Proizvođač ne snosi odgovornost za kvarove zbog kršenja ovde navedenih principa ugradnje, rada i održavanja, uključujući i slučajeve kada su ovi kvarovi nastali zbog neispravnih parametara mreže (struja i voda), gde bojler radi, a zbog intervencije trećeg lica. Garancija proizvođača ne pokriva reklamacije za izgled bojlera.

16. PODACI O PROIZVOĐAČU

Proizvođač:

AnHui Weber New Energy Water Heating System Equipments Co., Ltd.

No. 500 YinHuangXi Road, Ma'anshan economic and Technological Development Zone, Anhui, China

Svi modeli su sertifikovani i usklađeni su sa zahtevima evropskih direktiva: 2014/35/EU, 2014/30/EU i 2011/65/EU (RoHS).



Uvoznik za Srbiju:

Ekskluzivni distributer THERMEX marke za Srbiju:

ELEKTROGREJANJE d.o.o..Sedište: 25230 Kula, Ise Sekickog BB, Tel.: 069/146-27-69 Web: www.elektrogrejanje.rs

E-mail: info@biokopri.hu

Ne snosimo odgovornost za štamparske greške. Slike su informativnog karaktera. Uvoznik zadržava pravo promene sadržaja.

Ekskluzivni distributer u Srbiji i ispunjavač garantne obaveze:

Naziv: ELEKTROGREJANJE d.o.o.

Sedište: SRB-25230 Kula, Ise Sekickog BB.

PIB: 111421521

Kontakt: info@elektrogrejanje.rs

Web: www.elektrogrejanje.rs



IDENTIFIKACIJA PROIZVODA

Tip:.....Serijski broj:.....

Mesto i datum prodaje:

Prodajna firma:.....

Potpis prodavca:.....

M.P :

Proizvod pripremljen; nemam primedbi na izgled proizvoda.

Dobio sam uputstva za upotrebu. Pročitao, razumeo i prihvatio pravila o upotrebi i garantne uslove.

Potpis kupca



WARRANTY CERTIFICATE 1 / JÓTÁLLÁSI JEGY 1 /
CERTIFICAT DE GARANȚIE 1 / GARANTNI LIST 1

| | | |
|--|--|--|
| Model / Modell / Model / Model | | Dealer's seal / A forgalmazó bélyegzője / Sigiliul comerciantului / Peçat prodavca |
| Serial No. / Sorozatszám / Număr de serie / Serijski br. | | |
| Date of sale / Az értékesítés időpontja / Data vânzării / Datum prodaje | | |
| Dealer / Forgalmazó / Comerciant / Prodavac | | |

To be filled by the dealer / A kereskedő tölti ki / A se completa de către Comerciant / Popunjava prodavac



WARRANTY CERTIFICATE 2 / JÓTÁLLÁSI JEGY 2 /
CERTIFICAT DE GARANȚIE 2 / GARANTNI LIST 2

| | | |
|--|--|--|
| Model / Modell / Model / Model | | Dealer's seal / A forgalmazó bélyegzője / Sigiliul comerciantului / Peçat prodavca |
| Serial No. / Sorozatszám / Număr de serie / Serijski br. | | |
| Date of sale / Az értékesítés időpontja / Data vânzării / Datum prodaje | | |
| Dealer / Forgalmazó / Comerciant / Prodavac | | |

To be filled by the dealer / A kereskedő tölti ki / A se completa de către Comerciant / Popunjava prodavac

| | | |
|--|--|---|
| Date of acceptance / Az átvétel időpontja / Data acceptării / Datum preuzimanja | | Stamp of service center / A szervizközpont bélyegzője / Ștampila centrului de service / Pečet servisnog centra |
| Issue date / Kiállítás időpontja / Data emiterii / Datum izdavanja | | |
| Defect / Hiba / Defect / Kvar | | |
| Executed work / Elvégzett munka / Lucrări executate / Izvršene popravke | | |
| Expert (full name) / Szakember (teljes név) / Expert (nume și prenume) / Stručno lice (ime i prezime) | | |

Filled in by service center / A szervizközpont tölti ki / Completat de centrul de service / Popunjava servisni centar

| | | |
|--|--|---|
| Date of acceptance / Az átvétel időpontja / Data acceptării / Datum preuzimanja | | Stamp of service center / A szervizközpont bélyegzője / Ștampila centrului de service / Pečet servisnog centra |
| Issue date / Kiállítás időpontja / Data emiterii / Datum izdavanja | | |
| Defect / Hiba / Defect / Kvar | | |
| Executed work / Elvégzett munka / Lucrări executate / Izvršene popravke | | |
| Expert (full name) / Szakember (teljes név) / Expert (nume și prenume) / Stručno lice (ime i prezime) | | |

Filled in by service center / A szervizközpont tölti ki / Completat de centrul de service / Popunjava servisni centar



WARRANTY CERTIFICATE 3 / JÓTÁLLÁSI JEGY 3 /
CERTIFICAT DE GARANȚIE 3 / GARANTNI LIST 3

| | | |
|--|--|---|
| Model / Modell / Model / Model | | Dealer's seal / A forgalmazó bélyegzője / Sigiliul comerciantului / Peçat prodavca |
| Serial No. / Sorozatszám / Număr de serie / Serijski br. | | |
| Date of sale / Az értékesítés időpontja / Data vânzării / Datum prodaje | | |
| Dealer / Forgalmazó / Comerciant / Prodavac | | |

To be filled by the dealer / A kereskedő tölti ki / A se completa de către Comerciant / Popunjava prodavac



WARRANTY CERTIFICATE 4 / JÓTÁLLÁSI JEGY 4 /
CERTIFICAT DE GARANȚIE 4 / GARANTNI LIST 4

| | | |
|--|--|---|
| Model / Modell / Model / Model | | Dealer's seal / A forgalmazó bélyegzője / Sigiliul comerciantului / Peçat prodavca |
| Serial No. / Sorozatszám / Număr de serie / Serijski br. | | |
| Date of sale / Az értékesítés időpontja / Data vânzării / Datum prodaje | | |
| Dealer / Forgalmazó / Comerciant / Prodavac | | |

To be filled by the dealer / A kereskedő tölti ki / A se completa de către Comerciant / Popunjava prodavac

| | | |
|--|--|---|
| Date of acceptance / Az átvétel időpontja / Data acceptării / Datum preuzimanja | | Stamp of service center / A szervizközpont bélyegzője / Ștampila centrului de service / Pečet servisnog centra |
| Issue date / Kiállítás időpontja / Data emiterii / Datum izdavanja | | |
| Defect / Hiba / Defect / Kvar | | |
| Executed work / Elvégzett munka / Lucrări executate / Izvršene popravke | | |
| Expert (full name) / Szakember (teljes név) / Expert (nume și prenume) / Stručno lice (ime i prezime) | | |

Filled in by service center / A szervizközpont tölti ki / Completat de centrul de service / Popunjava servisni centar

| | | |
|--|--|---|
| Date of acceptance / Az átvétel időpontja / Data acceptării / Datum preuzimanja | | Stamp of service center / A szervizközpont bélyegzője / Ștampila centrului de service / Pečet servisnog centra |
| Issue date / Kiállítás időpontja / Data emiterii / Datum izdavanja | | |
| Defect / Hiba / Defect / Kvar | | |
| Executed work / Elvégzett munka / Lucrări executate / Izvršene popravke | | |
| Expert (full name) / Szakember (teljes név) / Expert (nume și prenume) / Stručno lice (ime i prezime) | | |

Filled in by service center / A szervizközpont tölti ki / Completat de centrul de service / Popunjava servisni centar